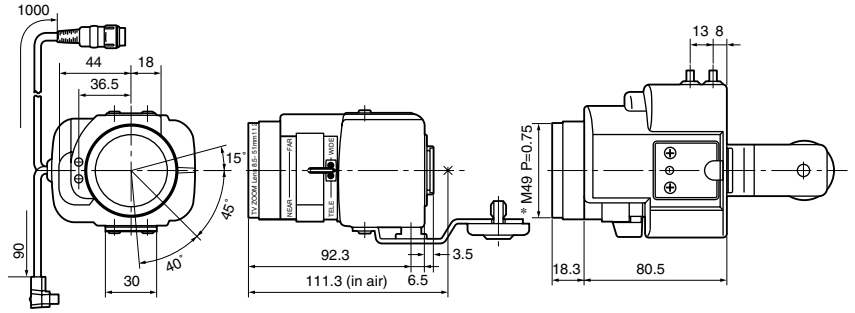


1/2-type Zoom Lenses

(For 1/3-type and 1/2-type CCD Cameras)

Unit = mm

WV-LZ81/6 6x Zoom Lens



Focal Length	8.5 - 51 mm (6x)
Aperture Ratio	F1.2 (Wide) to F64, close F1.3 (Tele) to F64, close
Image Size	6.4(H) x 4.8(V) mm (equivalent to 1/2")
Angular Field of View 1/2"	H 7.2° (Tele) 41.9° (Wide)
	V 5.5° (Tele) 31.3° (Wide)
Angular Field of View 1/3"	H 5.5° (Tele) 31.4° (Wide)
	V 4.1° (Tele) 23.5° (Wide)
Iris Type	Automatic
Minimum Object Distance	1 m
Optical Filter Size	M49 mm, P = 0.75 mm

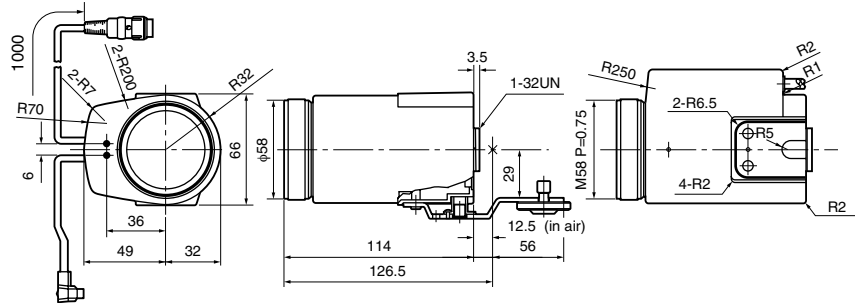
Mount	Special C-Mount (CS-Mount, 1-32UN)	
Weight	420 g	
Dimensions (W x H x D)	85 x 66 x 114 mm	
Zoom and Focus Control	Control Voltage	±6 to ±12V DC (Accept, Wide Voltage)
	Polarity	Zoom: (-) Tele (+) Wide Focus: (-) Near (+) Far
	Operating Speed	Zoom: Approx. 9 sec. at ±6V DC Approx. 6 sec. at ±8V DC Approx. 4 sec. at ±12V DC Focus: Approx. 8 sec. at ±6V DC Approx. 4 sec. at ±8V DC Approx. 2 sec. at ±12V DC

Focus Control	Far	24 mA at +8V DC
	Near	24 mA at -8V DC
	Wide	24 mA at +8V DC
	Tele	24 mA at -8V DC

Pin Configuration	1. Common
	2. Not Used
	3. Focus
	4. Zoom

*Lens has mechanical focus adjustment ring.

WV-LZ81/10 10x Zoom Lens



Focal Length	8 - 80 mm (10x)
Aperture Ratio	F1.4 (Wide) to F64, close F1.7 (Tele) to F64, close
Image Size	6.4(H) x 4.8(V) mm (equivalent to 1/2")
Angular Field of View 1/2"	H 4.6° (Tele) 44.6° (Wide)
	V 3.5° (Tele) 33.5° (Wide)
Angular Field of View 1/3"	H 3.5° (Tele) 33.5° (Wide)
	V 2.6° (Tele) 25.2° (Wide)
Iris Type	Automatic
Minimum Object Distance	1.1 m
Optical Filter Size	M55 mm, P = 0.75 mm

Mount	Special C-Mount (CS-Mount, 1-32UN)	
Weight	450 g	
Dimensions (W x H x D)	81 x 66 x 114 mm	
Zoom and Focus Control	Control Voltage	±6 to ±12V DC (Accept, Wide Voltage)
	Polarity	Zoom: (-) Tele (+) Wide Focus: (-) Near (+) Far
	Operating Speed	Zoom: Approx. 9 sec. at ±6V DC Approx. 6 sec. at ±8V DC Approx. 4 sec. at ±12V DC Focus: Approx. 12 sec. at ±6V DC Approx. 7 sec. at ±8V DC Approx. 3 sec. at ±12V DC

Focus Control	Far	67 mA at +8V DC
	Near	35 mA at -8V DC
	Wide	28 mA at +8V DC
	Tele	28 mA at -8V DC

Pin Configuration	1. Common
	2. Not Used
	3. Focus
	4. Zoom

*Lens has mechanical focus adjustment ring.