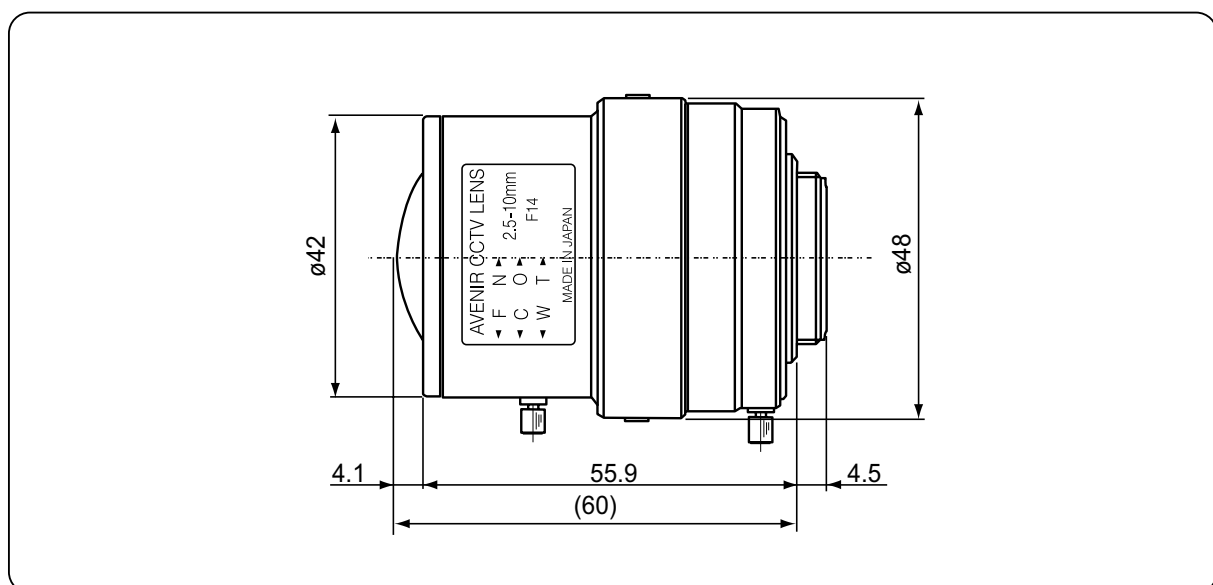


Model No.		TVSH2510	
Image Format Cover		1/3" ~ 1/4"	
Focal Length		2.5 ~ 10mm	
Maximum Aperture Ratio		1:1.4-2.7	
Zoom Ratio		4.0X	
Iris	Control Method		Manual
	Iris Range		F1.4(2.7) ~ Close
	Speed		---
	Input Voltage & Current		---
	Sensitivity Adjustment		---
Focus	Control Method		Manual
Zoom	Control Method		Manual
Angle Field of View (DXHXV)	1/4 inch	Wide	99.2°X79.5°X59.6°
		Tele	26.6°X21.3°X16.0°
	1/3 inch	Wide	130.9°X105.8°X79.5°
		Tele	35.3°X28.3°X21.3°
Minimum Object Distance		0.3m	
Back Focal Length		9.52 ~ 21.05mm	
Effective Diameter	Front	ø26.9mm	
	Rear	ø8.3mm	
Filter Screw Size		---	
Mount / Flange Back		CS/12.5mm	
Mechanical Dimension (DX(H)XL)		ø48mmX60mm	
Total Weight		--- g	
Application Temperature Range		-10°C ~ +50°C (+14°F ~ +122°F)	
Remarks		---	



Available in Australia from



Pacific Communications
CLOSED CIRCUIT VIDEO SYSTEMS



DAS
DIRECT ALARM SUPPLIES

Available in New Zealand from



Hills
Electronic Security
New Zealand