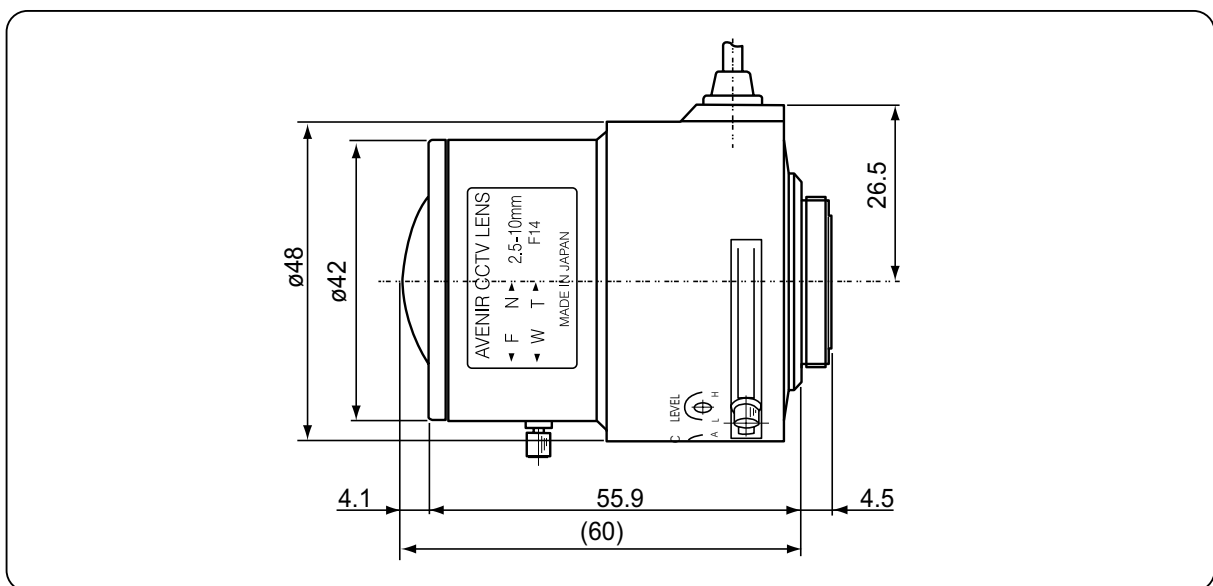


<b>Model No.</b>		<b>TVSD2510J</b>	
Image Format Cover		1/3" ~ 1/4"	
Focal Length		2.5 ~ 10mm	
Maximum Aperture Ratio		1:1.4-2.7	
Zoom Ratio		4.0X	
Iris	Control Method	Direct Drive	
	Iris Range	F1.4(2.7) ~ 360	
	Speed	---	
	Input Voltage & Current	---	
	Sensitivity Adjustment	---	
Focus	Control Method	Manual	
Zoom	Control Method	Manual	
Angle Field of View (DXHXV)	1/4 inch	Wide	99.2°X79.5°X59.6°
		Tele	26.6°X21.3°X16.0°
	1/3 inch	Wide	130.9°X105.8°X79.5°
		Tele	35.3°X28.3°X21.3°
Minimum Object Distance			0.3m
Back Focal Length			9.52 ~ 21.05mm
Effective Diameter	Front	ø26.9mm	
	Rear	ø8.3mm	
Filter Screw Size			---
Mount / Flange Back			CS/12.5mm
Mechanical Dimension (DX(H)XL)			ø48mmX50.5mmX60mm
Total Weight			--- g
Application Temperature Range			-10°C ~ +50°C (+14°F ~ +122°F)
Remarks			---



Available in Australia from



**Pacific Communications**  
CLOSED CIRCUIT VIDEO SYSTEMS

**DAS**  
DIRECT ALARM SUPPLIES

Available in New Zealand from

