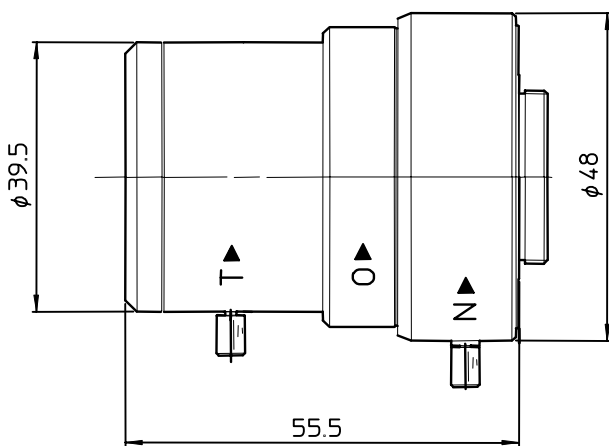
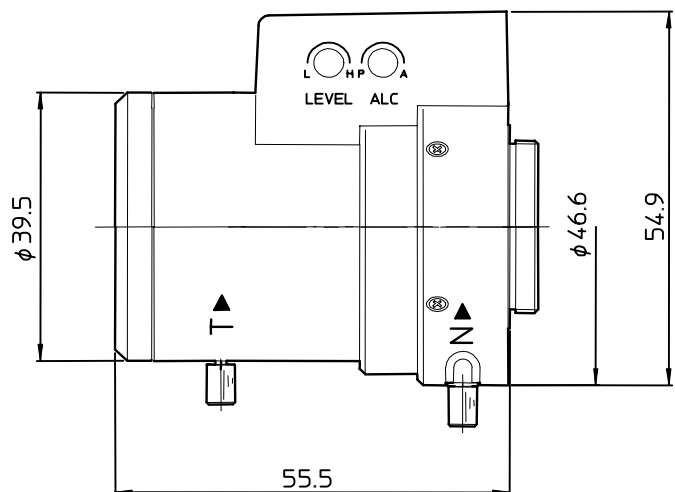


SPECIFICATIONS

			TVS*0550 series			7/06/2004		
Model No.			TVSH0550		TVSG0550/360		TVSD0550/360	
Image Format Cover			1/3" ~ 1/4"					
Focal Length			5 ~ 50 mm					
Maximum Aperture Ratio			1 : 1.3-1.9					
Zoom Ratio			10.0×					
Iris	Control Method		Manual		Video Drive		Direct Drive	
	Iris Range		F1.3(1.9) ~ Close		F1.3(1.9) ~ 360			
	Speed		* * *		Approx. 1.5 sec		* * *	
	Input Voltage & Current		* * *		DC 8 ~ 16V Max. 30mA		* * *	
	Sensitivity Adjustment		* * *		0.5 ~ 1.0V _{P-P}		* * *	
Focus	Control Method		Manual					
Zoom	Control Method		Manual					
Angle Field of View (D×H×V)	1/4"	Wide	50.2° × 40.1° × 30.1°					
		Tele	5.2° × 4.2° × 3.2°					
	1/3"	Wide	66.8° × 53.5° × 40.1°					
		Tele	6.9° × 5.6° × 4.2°					
Minimum Object Distance			0.3 m					
Back Focal Length			9.61 ~ 13.20 mm					
Effective Diameter		Front	φ30.0 mm					
		Rear	φ9.8 mm					
Filter Screw Size			* * *					
Mount / Flange Back			CS / 12.5mm					
Mechanical Dimension (D×(H)×L)			φ39.5mm×55.5mm		φ39.5mm×54.9mm×55.5mm			
Total Weight			88g		95.5g		93g	
Application Temperature Range			-10°C ~ +50°C (+14°F ~ +122°F)					
Comments								



«TVSH0550»



«TVSG(D)0550/360»