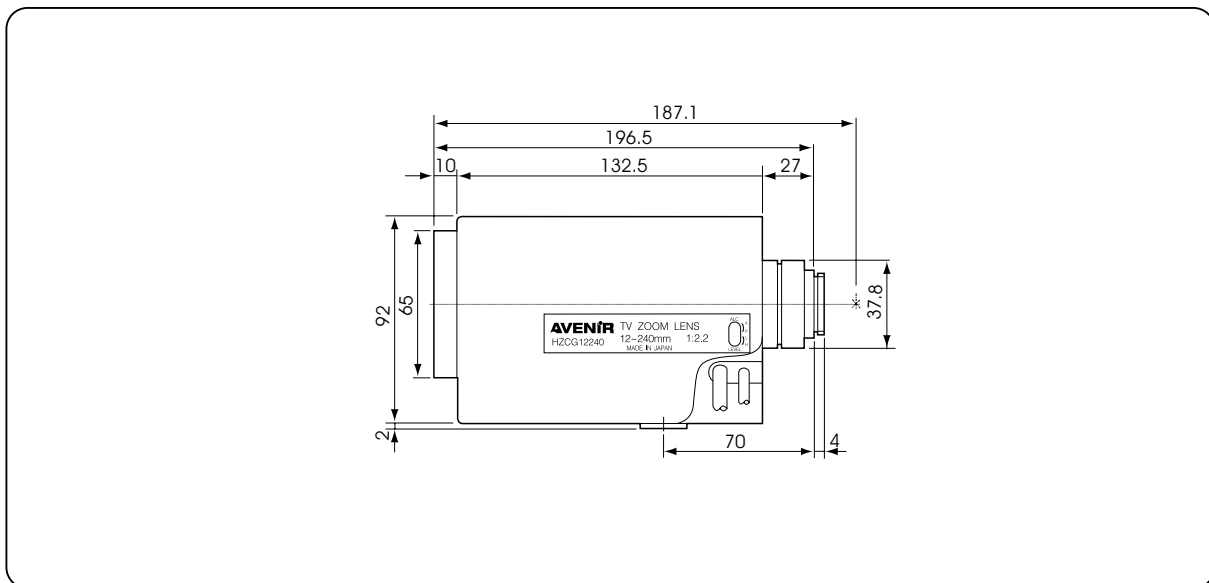


Model No.		HZCG12240W71/HZCG12240P1W (Preset)	
Image Format Cover		1/2" ~ 1/3"	
Focal Length		12 ~ 240mm	
Maximum Aperture Ratio		1:2.2-4.2	
Zoom Ratio		20X	
Iris	Control Method	Video Drive	
	Iris Range	F2.2(4.2) ~ 360	
	Speed	Approx. 3 sec	
	Input Voltage & Current	DC8 ~ 16V Max.35mA	
	Sensitivity Adjustment	0.5 ~ 1.0Vp-p	
Focus	Control Method	Motorized/Motorised Preset	
	Speed	Approx. 4 sec	
	Input Voltage & Current	DC12V Max.50mA	
Zoom	Control Method	Motorized/Motorised Preset	
	Speed	Approx. 4 sec	
	Input Voltage & Current	DC12V Max.50mA	
Angle Field of View (DXHXV)	1/3 inch	Wide	27.5X22.2X16.7
		Tele	1.5X1.2X0.9
	1/2 inch	Wide	37.0X29.7X22.4
		Tele	1.9X1.6X1.2
Minimum Object Distance		1.5m	
Back Focal Length		14.73mm	
Effective Diameter	Front	57.0mm	
	Rear	13.8mm	
Filter Screw Size		M62.0 P=0.75	
Mount / F lange Back		C/17.526	
Mechanical Dimension(WXHXL)		78.0mmX92.0mmX169.6mm	
Total Weight		970.0g	
Application Temperature Range		0C ~ +50C (+32F ~ +122F)	
Remarks		---	



Available in Australia from



Available in New Zealand from

