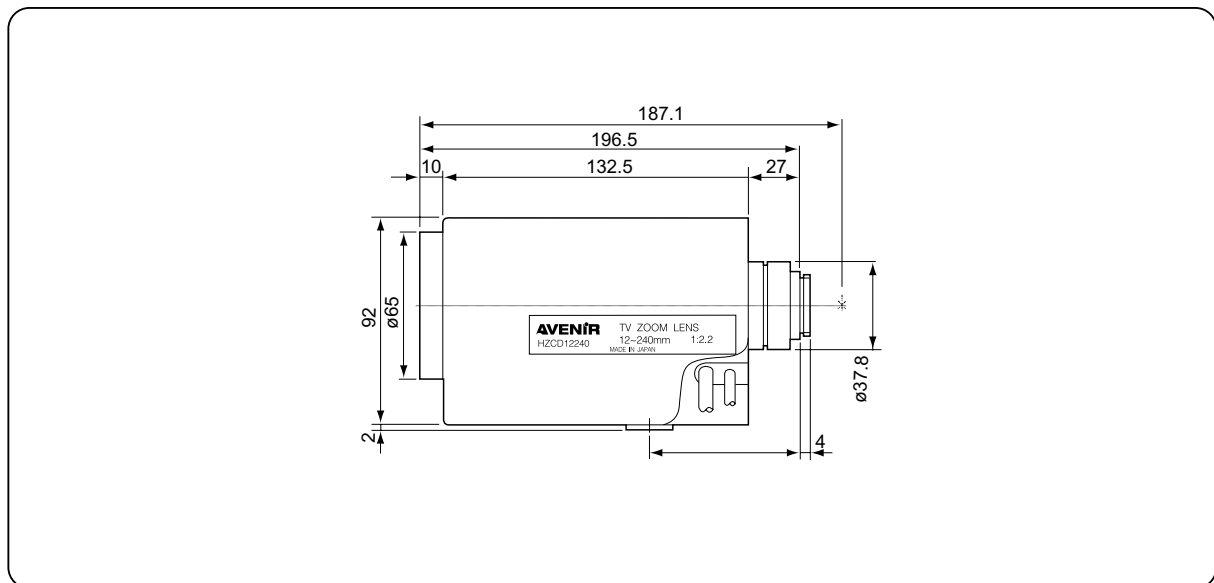


|                               |                         |  |                   |
|-------------------------------|-------------------------|--|-------------------|
| <b>Model No.</b>              |                         | <b>HZCD12240/HZCD12240P11 (Preset)</b> |                   |
| Image Format Cover            |                         | 1/2" ~ 1/3"                            |                   |
| Focal Length                  |                         | 12 ~ 240mm                             |                   |
| Maximum Aperture Ratio        |                         | 1:2.2-4.2                              |                   |
| Zoom Ratio                    |                         | 20X                                    |                   |
| Iris                          | Control Method          | Direct Drive                           |                   |
|                               | Iris Range              | F2.2(4.2) ~ 360                        |                   |
|                               | Speed                   | ---                                    |                   |
|                               | Input Voltage & Current | ---                                    |                   |
|                               | Sensitivity Adjustment  | ---                                    |                   |
| Focus                         | Control Method          | Motorized/Motorized Preset             |                   |
|                               | Speed                   | Approx. 4 sec                          |                   |
|                               | Input Voltage & Current | DC12V Max.50mA                         |                   |
| Zoom                          | Control Method          | Motorized/Motorised Preset             |                   |
|                               | Speed                   | Approx. 4 sec                          |                   |
|                               | Input Voltage & Current | DC12V Max.50mA                         |                   |
| Angle Field of View (DXHXV)   | 1/3 inch                | Wide                                   | 27.5°X22.2°X16.7° |
|                               |                         | Tele                                   | 1.5°X1.2°X0.9°    |
|                               | 1/2 inch                | Wide                                   | 37.0°X29.7°X22.4° |
|                               |                         | Tele                                   | 1.9°X1.6°X1.2°    |
| Minimum Object Distance       |                         | 1.5m                                   |                   |
| Back Focal Length             |                         | 14.73mm                                |                   |
| Effective Diameter            | Front                   | ø57.0mm                                |                   |
|                               | Rear                    | ø13.8mm                                |                   |
| Filter Screw Size             |                         | M62.0 P=0.75                           |                   |
| Mount / Flange Back           |                         | C/17.526                               |                   |
| Mechanical Dimension (WXHXL)  |                         | 78.0mmX92.0mmX169.6mm                  |                   |
| Total Weight                  |                         | 970.0g                                 |                   |
| Application Temperature Range |                         | 0°C ~ +50°C (+32°F ~ +122°F)           |                   |
| Remarks                       |                         | ---                                    |                   |



Available in Australia from



**Pacific Communications**  
CLOSED CIRCUIT VIDEO SYSTEMS



Available in New Zealand from

