

TG3Z3510FCS

VARI FOCAL 3X 3.5~10.5mm F1.0

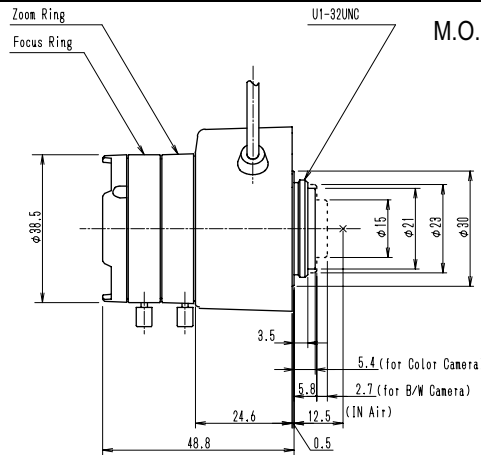
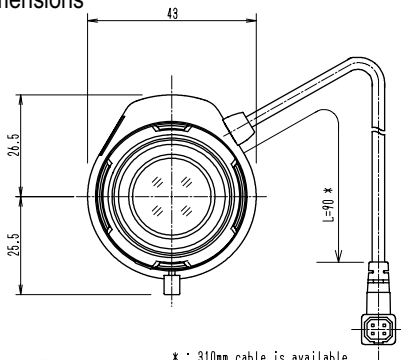
for 1/3"format cameras

CS-Mount

with Focus, w/o Amplifier

Model No.	TG3Z3510FCS		Effective	Front	?18.5mm	1/3
Focal Length	3.5 ~ 10.5mm		Lens Aperture	Rear	? 10.1mm	
Max. Aperture Ratio	1 : 1.0		Back Focal	Tele	16.7mm	CS
Max. Image Format	4.8 x 3.6mm (?6mm)		Length	Wide	8.3mm	
Operation Range	Iris	F1.0 ~ 360	Flange Back Length		12.5mm	
	Focus	0.3m ~ Inf.	Mount		CS-Mount	
	Zoom	3.5 ~ 10.5mm	Filter Size		M37.5 P=0.5mm	
Control	Iris	Auto Iris	Dimensions		?38.5 x 47.5 x 48.8mm	CS
	Focus	Manual	Weight		65g	
	Zoom	Manual				
Object Dimension at M.O.D.	3.5 mm	51.8 × 34.1cm				AG
	10.5mm	14.5 × 10.8cm				
Angle of View	D		108.4~34.2°			AG
	H	1/3"	81.6~27.2°			
	V		59.2~20.4°			
Coil	Drive	190 ohm				AG
	Control	850 ohm				
Operating Temperature	-20°C ~ +50°C					

Dimensions



Wiring Diagram

* : 310mm cable is available

Pin No.	1	BROWN	Control(-)
	2	RED	Control(+)
	3	YELLOW	Drive (+)
	4	ORANGE	Drive (-)

1/3

CS

AG

Z

SP

Available in Australia from



Available in New Zealand from

