



SWM Series Mount

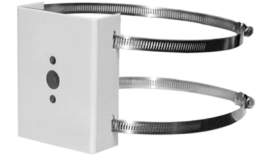
CORNER, POLE AND WALL, SPECTRA® AND DF5 SERIES DOMES

Product Features

- Low Cost
- For Use with Spectra® or DF5 Series Pendant Domes
- Constructed of Cast Aluminum
- Cable Feedthrough Features
- Supports up to 10 pounds (4.5 kg)
- Easy to Install, by means of a Mounting Plate, with Standard Tools
- Mounting Hardware is Concealed Within the SWM, Providing a Very Attractive Appearance
- Mounts Directly to a Vertical Load-Bearing Surface for Wall Mount Applications
- Can be used with the SWM-PA Series Pole Adapter or SWM-CA Series Corner Adapter
- For Indoor or Outdoor Applications



**SWM-GY
WALL MOUNT**



**SWM-PA-GY
POLE ADAPTER**



**SWM-CA
CORNER ADAPTER**

The **SWM Series** wall mount is an indoor or outdoor wall mount for Pelco's pendant domes in the Spectra® and DF5 Series. Its unique design hides the mounting bolts inside the mount, providing a clean and aesthetically pleasing appearance. It is easy to install and requires no special tools. A gasket is affixed to the base to protect the interior from moisture.

A feedthrough opening in the mounting surface allows for easy routing of video and power cables. Because of its compact size, the mount is not suitable for use with conduit fittings. A 1.5-inch NPT pipe thread is provided in the mount to attach the pendant dome.

Accessories for the wall mount include the **SWM-PA Series** pole adapter and the **SWM-CA Series** corner adapter. The corner adapter allows the wall mount to be attached to the corner of a building. The corner adapter is available with or without a 100 VA transformer that converts 120 or 230 VAC input to 24 VAC output to operate the Spectra and DF5 domes.

The wall mount and adapters are constructed of aluminum. The wall mount and pole adapter come in a light gray or black polyester powder coat finish. The corner adapter is available in the gray finish only.



**SWM-GY WALL MOUNT AND SWM-CA CORNER ADAPTER
SHOWN WITH DF5-PG-E0**



DataFAX

SPEC: 2293

MANUAL: 22936 (SWM), 22946 (SWM-PA), 22956 (SWM-CA)

C293 / REVISED 10-03

International Organization
for Standardization;
Registered ISO 9001



TECHNICAL SPECIFICATIONS

MODELS

SWM-BK	Compact wall mount with cable feedthrough, black finish.
SWM-GY	Same as SWM-BK except gray finish

RELATED PRODUCTS

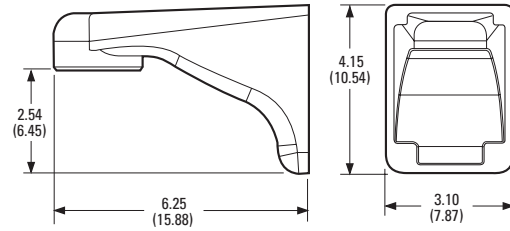
SWM-CA	Corner adapter; gray finish
SWM-CA24	Same as SWM-CA except has internal transformer to convert 120 or 230 VAC input to 24 VAC
SWM-PA-BK	Pole adapter with stainless steel hardware, black finish
SWM-PA-GY	Same as SWM-PA-BK except gray finish

ELECTRICAL

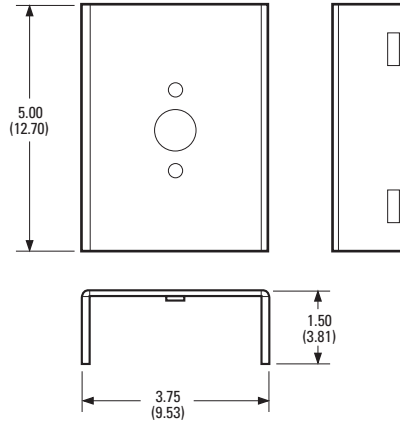
Input Power	120/230 VAC, 50/60 Hz switchable
Output Power	24 VAC (100 VA transformer)
Circuit Protection	One 1.6A, 120 VAC fast-acting fuse or one 500 mA, 230 VAC slow-blow fuse

GENERAL

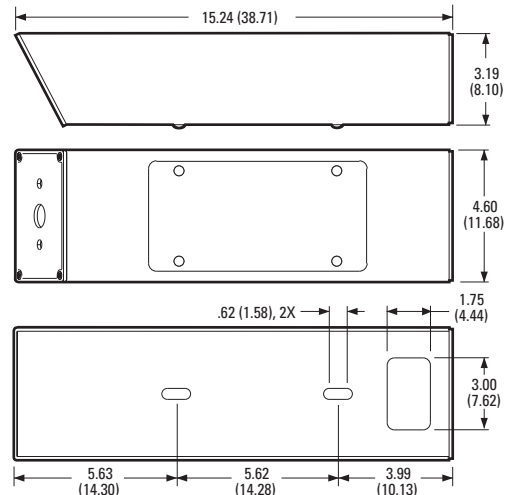
Mounting Method	Wall mount										
Corner adapter	Adapter is attached to a vertical load-bearing surface with two 3/8-inch (0.95 cm) diameter stainless steel bolts of appropriate length (not supplied). Includes hardware to attach SWM mount.										
Pole adapter	Adapter is attached to a pole with two stainless steel straps (supplied). Stainless steel strap length 28.5 inches (72.39 cm); fits poles with a minimum 4-inch (10.16 cm) diameter. (Includes hardware to attach mounting plate.)										
Cable Entry	Via cable feedthrough hole in mount adapters										
Maximum Load	10 lb (4.5 kg)										
Environment	Indoor/outdoor										
Operating Temperature (SWM-CA24 only)	-50° to 120°F (-46° to 49°C)										
Effective Projected Area (EPA) SWM-BK and SWM-GY	~12 square inches										
Construction	Wall mount: Cast aluminum Adapters: Aluminum										
Finish	SWM-GY, SWM-CA, SWM-CA24, SWM-PA-GY: Gray polyester powder coat SWM-BK, SWM-PA-BK: Black polyester powder coat										
Weight	<table border="1"> <thead> <tr> <th>Unit</th> <th>Shipping</th> </tr> </thead> <tbody> <tr> <td>SWM-BK, SWM-GY</td> <td>1.1 lb (0.50 kg) / 2 lb (0.91 kg)</td> </tr> <tr> <td>SWM-CA</td> <td>3.95 lb (1.79 kg) / 5 lb (2.27 kg)</td> </tr> <tr> <td>SWM-CA24</td> <td>7.32 lb (3.32 kg) / 9 lb (4.08 kg)</td> </tr> <tr> <td>SWM-PA-BK, SWM-PA-GY</td> <td>0.7 lb (0.32 kg) / 2 lb (0.91 kg)</td> </tr> </tbody> </table>	Unit	Shipping	SWM-BK, SWM-GY	1.1 lb (0.50 kg) / 2 lb (0.91 kg)	SWM-CA	3.95 lb (1.79 kg) / 5 lb (2.27 kg)	SWM-CA24	7.32 lb (3.32 kg) / 9 lb (4.08 kg)	SWM-PA-BK, SWM-PA-GY	0.7 lb (0.32 kg) / 2 lb (0.91 kg)
Unit	Shipping										
SWM-BK, SWM-GY	1.1 lb (0.50 kg) / 2 lb (0.91 kg)										
SWM-CA	3.95 lb (1.79 kg) / 5 lb (2.27 kg)										
SWM-CA24	7.32 lb (3.32 kg) / 9 lb (4.08 kg)										
SWM-PA-BK, SWM-PA-GY	0.7 lb (0.32 kg) / 2 lb (0.91 kg)										



SWM-GY DIMENSION DRAWING



SWM-PA-GY POLE ADAPTER DIMENSION DRAWING



NOTE: VALUES IN PARENTHESES ARE CENTIMETERS; ALL OTHERS ARE INCHES.

SWM-CA CORNER ADAPTER DIMENSION DRAWING



Pelco Worldwide Headquarters:
3500 Pelco Way, Clovis, California 93612-5699 USA
USA & Canada Tel: (800) 289-9100 • FAX (800) 289-9150 • DataFAX (800) 289-9108
International Tel: (559) 292-1981 • FAX (559) 348-1120 • DataFAX (559) 292-0435
www.pelco.com

Spectra® is a registered trademark of Pelco.
Specifications subject to change without notice.
©Copyright 2003, Pelco. All rights reserved.