



IWM Series and IDM4018 Mount

WALL MOUNT, SPECTRA®, DF5, AND DF8 SERIES DOME

Product Features

- For Use with Spectra®, DF5, and DF8 Series Pendant Domes; Can Also Be Used with Other Pendant Domes using 1.5-inch NPT Threaded Pipe for Mounting
- Constructed of Aluminum (IDM4018) and Cast Aluminum (IWM Series)
- Mounts Directly to Vertical Load-Bearing Surface for Wall Mount Applications
- Supports up to 75 Pounds (34 kg)
- Includes Cable Feedthrough Hole
- IWM24 Series Includes Integral 24 VAC, 100 VA Transformer for Use with Spectra Series Domes
- Optional Parapet, Pole, and Corner Adapters Are Available

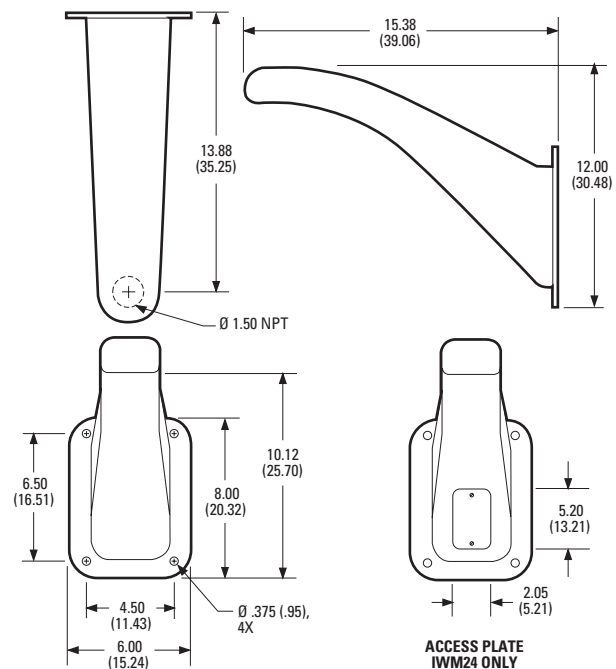


The **IWM Series** and **IDM4018** wall mounts are designed primarily for use with Spectra®, DF5, and DF8 Series pendant domes. They can also be used with other pendant domes that utilize 1.5-inch NPT pipe for mounting.

The **IDM4018** is constructed of aluminum and has a gray polyester powder coat finish. The **IWM Series** is constructed of cast aluminum and is available in a black or gray finish. The **IWM Series** is available in black or gray and includes an integral 24 VAC, 100 VA transformer. Input power (120 or 230 VAC, 50/60 Hz) is selectable via an internal slide switch which is easily accessible through a front access cover plate. Input wiring can enter the arm from openings in the mounting plate or flexible metal conduit fittings may be installed on each side of the mount. All mounts are designed to support up to 75 pounds (34 kg).

Both mounts are threaded for 1.5-inch NPT pipe, ready to accept a Spectra, DF5, or DF8 Series pendant back box.

The **IWM Series** and **IDM4018** can be attached directly to any vertical load-bearing surface. Optional parapet, pole, and corner adapters are available.



NOTE: VALUES IN PARENTHESES ARE CENTIMETERS; ALL OTHERS ARE INCHES.

IWM SERIES DIMENSION DRAWING



DataFAX
SPEC: 2203
MANUAL: 22036 (IDM4018), 22886 (IWM Series)

C203 / REVISED 10-03



