



PT570P/PT570-24P Pan/Tilt

OUTDOOR, MEDIUM DUTY

Product Features

- Easily Serviced
- Inverted Operation
- External Limit Stops
- Outdoor Applications
- Adjustable Worm-Gear Final Drive
- 120 VAC or 24 VAC Operation
- Capable of Auto/Random Scan Operation when Used with Appropriate Control
- Maximum Load 40 Pounds (18.14 kg)

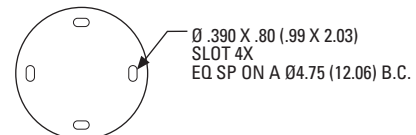
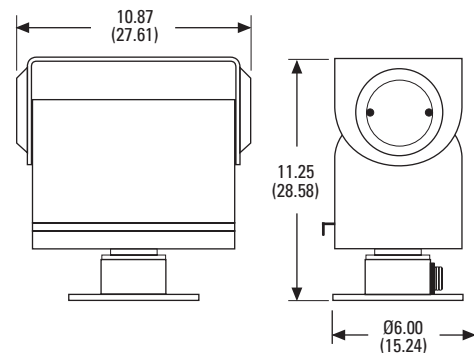
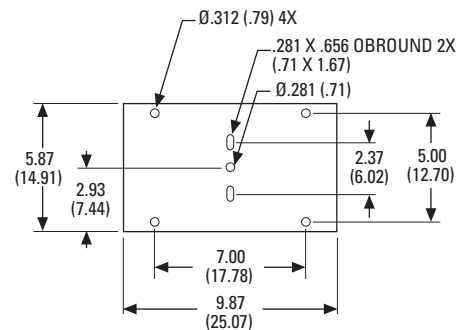


The **PT570P** and the **PT570-24P** are medium duty pan/tilts designed for outdoor applications. Both units feature rugged worm-gear final drives to minimize backlash and prevent wind drift. The drives are fully adjustable for wear.

Control voltages are 120 VAC for the **PT570P** and 24 VAC for the **PT570-24P**. Construction is of aluminum, and the units are completely sealed for all-weather use. The **PT570P** and **PT570-24P** will accept a maximum load of 40 pounds (18.14 kg) and are recommended for use with our EH4700 Series environmental enclosures.

Optional blanket heater available to allow operation to -50°F (-45°C).

Over twenty years of quality design and manufacturing have resulted in pan/tilts which provide long, reliable operation.

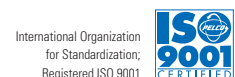


NOTE: VALUES IN PARENTHESES ARE CENTIMETERS; ALL OTHERS ARE INCHES.



DataFAX
SPEC: 2330
MANUAL: 23306

C330 / REVISED 10-03



TECHNICAL SPECIFICATIONS

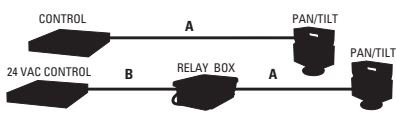
MODELS

PT570P	Medium duty pan/tilt, 120 VAC
PT570P/PP	Medium duty pan/tilt with presets, 120 VAC
PT570-24P	Medium duty pan/tilt, 24 VAC
PT570-24P/PP	Medium duty pan/tilt with presets, 24 VAC

ELECTRICAL

		PT570P	PT570-24P
Input Voltage		120 VAC, 50/60 Hz	24 VAC, 50/60 Hz
Power Requirements	(Running)	Pan	0.18A (21.6 VA)
		Tilt	0.18A (21.6 VA)
	(Starting)	Pan	0.27A (32.4 VA)
		Tilt	0.27A (32.4 VA)
Connectors	AMP CPC type (mate supplied)		
Motors	Two-phase induction type, instantaneous reversing		
Limit Switches	5A each (pan and tilt); external adjustment		
Conductor Requirements	6 or 7, unshielded (functions: left, right, up, down, motor common, safety ground). (No additional conductors for auto scan when used with solid-state control. PP option requires 4 additional conductors.)		

Maximum Operating Distances



	Cable Size	Maximum Distance	
		A	B
PT570P 6 Conductors	20 AWG (0.5 mm ²)	1,045 ft (319 m)	5,800 ft (1,767 m)
	18 AWG (1.0 mm ²)	1,665 ft (507 m)	8,250 ft (2,515 m)
	16 AWG (1.5 mm ²)	2,640 ft (805 m)	13,000 ft (3,962 m)
7* Conductors	20 AWG (0.5 mm ²)	2,080 ft (634 m)	
	18 AWG (1.0 mm ²)	3,330 ft (1,015 m)	
	16 AWG (1.5 mm ²)	5,285 ft (1,611 m)	
PT570-24P 6 Conductors	20 AWG (0.5 mm ²)	40 ft (12 m)	
	18 AWG (1.0 mm ²)	65 ft (20 m)	
	16 AWG (1.5 mm ²)	110 ft (34 m)	
7* Conductors	20 AWG (0.5 mm ²)	85 ft (26 m)	
	18 AWG (1.0 mm ²)	135 ft (41 m)	
	16 AWG (1.5 mm ²)	220 ft (67 m)	

*Using 2 wire motor common

- Notes:
- Distance (A) from control to pan/tilt is the same as distance from relay box to pan/tilt.
 - Maximum operating distance can be extended by using a low voltage control (24 VAC) and a relay box. Distance (B) from control to relay box is the same for all applications.
 - Distances are calculated with both motors (pan and tilt) running and assuming a 10% voltage drop in the cable.

MECHANICAL

Pan	0-355° movement in horizontal plane
Speed	6°/sec ±1°
Torque	10 ft-lb with specified voltage
Tilt	±90° movement in vertical plane
Speed	3°/sec ±0.5°
Torque	20 ft-lb with specified voltage
Maximum Load	40 lb (18.1418.14 kg) at 5" (12.7 cm) from tilt table surface to center of gravity
Gearing	Adjustable worm-gear final drive to prevent drift and minimize backlash
Bearings	
Pan	Heavy-duty ball bearings
Tilt	Oilite bronze bushing
Braking	Mechanical friction-type
Duty Cycle	50% duty cycle; 30 minute rating

GENERAL

Construction	Aluminum plate; all internal parts corrosion protected
Finish	Gray polyester powder coat
Environment	Outdoor; -10° to 120°F (-23° to 49°C)
Unit Weight	22 lb (9.9 kg)
Shipping Weight	25 lb (11.5 kg)

CERTIFICATIONS/RATINGS

- CE, Class B (PT570-24P, PT570-24P/PP)
- UL Listed
- Meets NEMA Type 3R standards

OPTIONS

HB/570	Blanket heater in cover, 75W. Allows operation to -50°F (-45°C). 120 VAC, 50/60 Hz.
--------	---

RECOMMENDED CONTROLS

Coaxitron or Matrix	See individual specification sheets for information.
MPT24DT	Desktop control for 24 VAC pan/tilt.
MPTAZ Series	Desktop pan/tilt and zoom lens control with auto/random scan.
RB115, RB24	Relay box for extended low voltage operation. Extends operating distance (control to relay box).

RECOMMENDED ENCLOSURE

EH4700 Series	Environmental enclosure
---------------	-------------------------

RECOMMENDED MOUNTS

PA2000	Adapter plate; required when using WM2000
PM2000, PM2010	Ceiling/pedestal mount; maximum load 125 lb (56.7 kg)
ST1	Support strut; use with WM2000/PM2000/PM2010
WM2000	Wall mount; maximum load 75 lb (34 kg)



Pelco Worldwide Headquarters:

3500 Pelco Way, Clovis, California 93612-5699 USA

USA & Canada Tel: (800) 289-9100 • FAX (800) 289-9150 • DataFAX (800) 289-9108

International Tel: (559) 292-1981 • FAX (559) 348-1120 • DataFAX (559) 292-0435

www.pelco.com

Specifications subject to change without notice.
©Copyright 2003, Pelco. All rights reserved.