



MRCA/MRWA Mount

CEILING/WALL MOUNT, DOME OR MONITOR

Product Features

- Ceiling or Wall Mounting
- Black Polyester Powder Coat Finish
- For Use with Full-Sphere Pendant Style Domes Utilizing 1.5-Inch NPT Threaded Pipe for Mounting
- Indoor Applications Only
- Can Also Be Used with MR3000, MR3050, MR4050, and MR5000 Series Monitor Mounts

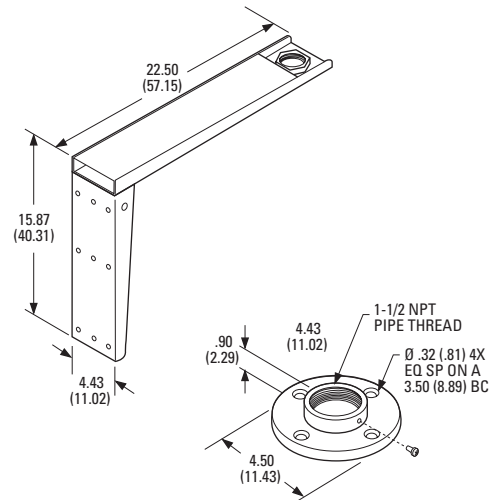


The **MRCA** and **MRWA** mounts are designed for use with full-sphere pendant mount domes that utilize a suitable length of 1.5-inch NPT threaded pipe for mounting.

The **MRCA** is for use in ceiling mount applications and the **MRWA** is for wall mount applications.

The **MRCA** and **MRWA** are compatible with Pelco Spectra®, DF5, and DF8 Series pendant style domes. They can also be used with MR3000, MR3050, MR4050, and MR5000 Series monitor mounts.

The **MRCA** and **MRWA** are constructed of steel and have a black polyester powder coat finish. These mounts are for indoor use only.



NOTE: VALUES IN PARENTHESES ARE CENTIMETERS; ALL OTHERS ARE INCHES.



DataFAX
SPEC: 2234
MANUAL: 22346 (MRCA), 22376 (MRWA)

C234 / REVISED 10-02



International Organization
for Standardization;
Registered ISO 9001



TECHNICAL SPECIFICATIONS

MODELS

MRCA	Ceiling mount for full-sphere pendant style domes which utilize 1.5-inch NPT threaded pipe for mounting
MRWA	Wall mount for full-sphere pendant style domes which utilize 1.5-inch NPT threaded pipe for mounting

GENERAL

Dome	
Mounting	Suitable length of 1.5-inch NPT threaded pipe required (not supplied with mount)
Mounting Method	
MRCA	Four 5/16-inch diameter fasteners, not supplied
MRWA	Minimum of six 5/16-inch diameter fasteners, not supplied
Construction	Steel
Finish	Black polyester powder coat
Unit Weight	
MRCA	1.22 lb (0.55 kg)
MRWA	11.35 lb (5.15 kg)
Shipping Weight	
MRCA	2 lb (0.9 kg)
MRWA	13 lb (5.88 kg)

CERTIFICATIONS

- UL Listed



Pelco Worldwide Headquarters:

3500 Pelco Way, Clovis, California 93612-5699 USA

USA & Canada Tel: (800) 289-9100 • FAX (800) 289-9150 • DataFAX (800) 289-9108

International Tel: (559) 292-1981 • FAX (559) 348-1120 • DataFAX (559) 292-0435

www.pelco.com

Spectra® is a registered trademark of Pelco.
Specifications subject to change without notice.
©Copyright 2002, Pelco. All rights reserved.