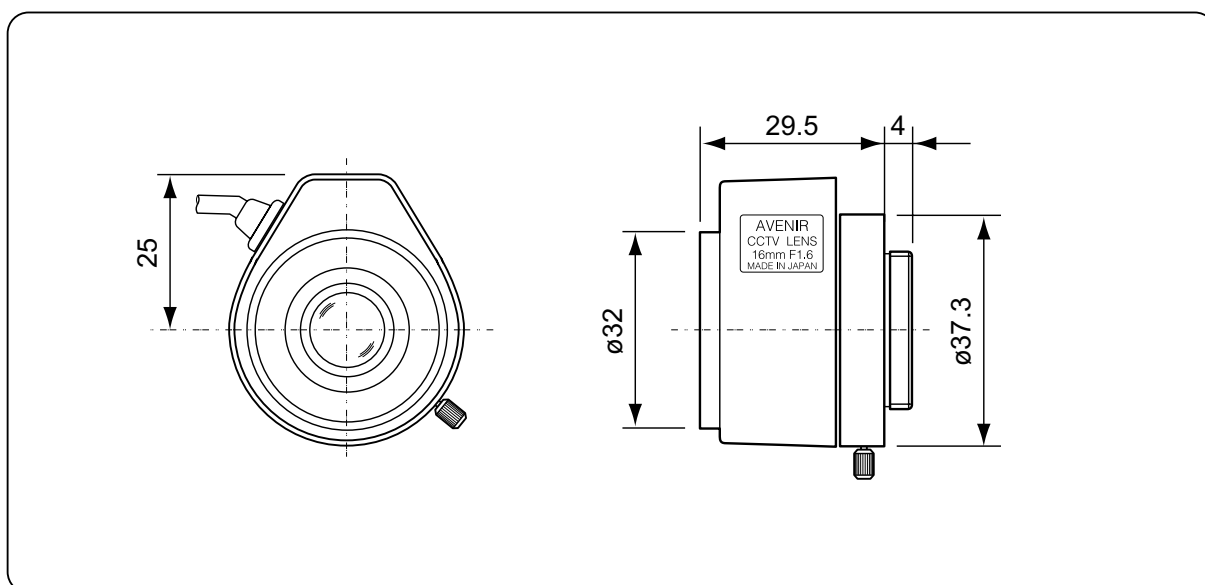


Model No.		TTSD1616J	
Image Format Cover		1/3"	
Focal Length		16.0mm	
Maximum Aperture Ratio		1:1.6	
Iris	Control Method	Direct Drive	
	Iris Range	F1.6 ~ 360	
	Speed	---	
	Input Voltage & Current	---	
	Sensitivity Adjustment	---	
Focus	Control Method	Manual	
Angle Field of View (DXHXV)	1/4 inch	16.0°X12.8°X9.6°	
	1/3 inch	21.8°X17.6°X13.2°	
Minimum Object Distance		0.7m	
Back Focal Length		10.21mm	
Effective Diameter	Front	ø10.5mm	
	Rear	ø7.5mm	
Filter Screw Size		---	
Mount / Flange Back		CS/12.5mm	
Mechanical Dimension (DXHXL)		ø32mmX43.9mmX29.5mm	
Total Weight		44.5g	
Application Temperature Range		-10°C ~ +50°C (+14°F ~ +122°F)	
Remarks		Distortion less than 1.0%	



Available in Australia from



Pacific Communications
CLOSED CIRCUIT VIDEO SYSTEMS

DAS
DIRECT ALARM SUPPLIES

Available in New Zealand from

