



PRODUCT SPECIFICATION

DF5 Series Fixed Mount Dome

5-INCH, INDOOR/OUTDOOR, CEILING/PENDANT, STANDARD/HEAVY-DUTY



LISTED

IP66

Product Features

- 5.9-Inch Acrylic Bubble
- Plenum-Rated Back Box
- Cosmetically Matches Spectra® Dome
- Indoor and Environmental Models Available
- Hard Ceiling and Suspended Ceiling Applications
- Versatile and Adjustable Fixed Camera Mount Bracket
- Environmentally Sealed and Weatherized, Pendant Models Available for Use in Temperatures to -60°F (-51°C)
- Pendant Models, NEMA 4X, IP66 Rated
- Heavy-Duty Models
 - Tough, Reinforced Construction
 - .177-Inch Thick Acrylic Bubble
 - Barrel-Type Key Locks



PENDANT MODEL DF5-PG-0
(SHOWN WITH SWM-GY WALL MOUNT)



HEAVY-DUTY IN-CEILING MODEL
DF5HD-1

Pelco's **DF5 Series** is a low profile, fixed mount, dome for in-ceiling or pendant applications. The dome is easy to install and features a versatile fixed camera mount that allows for 360 degree camera positioning. Standard and tamper/impact resistant (heavy-duty) models are available. Heavy-duty models are ideal for installations where structural integrity and resistance to vandalism are a priority.

DF5 Series in-ceiling models are available with a standard (DF5), shortened (DF5S) or heavy-duty (DF5HD) back box. The standard and shortened back box models can be installed in a hard ceiling or standard suspended ceiling. The shortened back box version can also be mounted directly to a hard ceiling using an optional bezel to conceal the back box for a seamless installation. The heavy-duty model should only be installed in a fixed ceiling to optimize the integrity of the vandal-resistant design.

The **DF5 Series** pendant models mount directly to any recommended mount, flush to a ceiling, or to 1.5-inch NPT female threaded pipe and are available for indoor and environmental applications. All environmental versions include a sun shield and heater kit and are suitable for use in temperatures to -60 degrees F (51 degrees C). Heavy-duty pendant models (DF5HD-PG) are strengthened by a thicker sun shroud and dual wall construction.

Lower domes for the standard and shortened back box models are available with an acrylic bubble or flat acrylic window (DF5-0F/DF5-1F) for applications where overhead space is minimal. Available bubble colors include; smoked, clear, chrome and gold. The heavy-duty lower dome (available only in clear) is constructed of .177-inch thick acrylic, providing an optimum combination of strength and optical clarity.

DF5 Series options include an aluminum ceiling panel (SD5-P) for suspended ceiling applications, a pendant conduit adapter (BB5-PCA-BK or BB5-PCA-GY), and dome liner kit (DF5LINERKIT).



International Standards Organization Registered Firm ISO 9001 Quality System

TECHNICAL SPECIFICATIONS, IN-CEILING DOMES

MECHANICAL

Cable Entry .75-inch conduit fitting

GENERAL

Maximum

Camera/Lens Size
DF5, DF5S, and
DF5HD

(Including BNC connector)
5.00 (L) x 2.75 (W) x 2.75 (H) inches
(12.70 cm x 6.99 cm x 6.99 cm)

DF5-OF/DF5-1F

(Including mini BNC connector)
4.5 (L) x 2.75 (W) x 2.75 (H) inches
(11.43 cm x 6.99 cm x 6.99 cm)

Construction

Back Box

Aluminum

Mounting Bracket

Steel

Lower Dome

DF5 and DF5S
DF5HD Series

Acrylic (smoked, clear, chrome or gold)
Clear acrylic bubble, .177-inch thick
at flange

DF5-OF

Smoked acrylic flat window,
.003-inch thick

DF5-1F

Clear acrylic flat window,
.003-inch thick

Unit Weight

DF5 Series

2.80 lb (1.27 kg)

DF5S Series

2.65 lb (1.20 kg)

DF5HD Series

3.77 lb (1.71 kg)

DF5-OF/DF5-1F

2.65 lb (1.20 kg)

Shipping Weight

DF5 Series

6.0 lb (2.72 kg)

DF5S Series

5.0 lb (2.27 kg)

DF5HD Series

7.0 lb (3.18 kg)

DF5-OF/DF5-1F

6.0 lb (2.72 kg)

ENVIRONMENTAL

Environment Indoor only

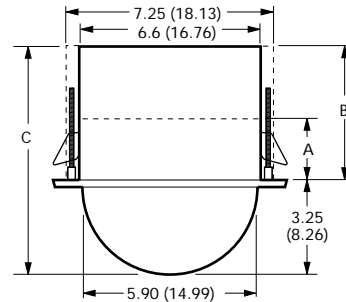
Operating Temperature 32° to 122°F (0° to 50°C)

CERTIFICATIONS/RATINGS

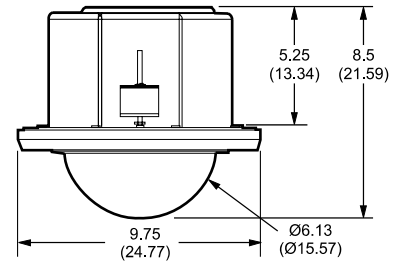
- ◆ UL listed to Standard 2044
- ◆ cUL listed to CSA Standard 22.2 No. 1-94
- ◆ Meets NEMA Type 1, IP20 Standards

LETTER	MODEL	DIMENSION
A	DF5S SERIES	2.75 (6.99)
B	DF5 SERIES	5.25 (13.34)
C	DF5-OF/DF5-1F	5.60 (14.22)

NOTE: VALUES IN PARENTHESES ARE IN CENTIMETERS;
ALL OTHERS ARE INCHES.



STANDARD IN-CEILING DOME



NOTE: VALUES IN PARENTHESES ARE IN CENTIMETERS;
ALL OTHERS ARE INCHES.

HEAVY-DUTY IN-CEILING DOME

TECHNICAL SPECIFICATIONS, PENDANT DOMES

MECHANICAL

Cable Entry Through 1.5-inch NPT pendant mount

ELECTRICAL

Input Voltage 24 VAC (environmental models only)
Input Power 62 vA (for heater)

GENERAL

Maximum Camera/Lens Size (Including BNC)
5.00 (L) x 2.75 (W) x 2.75 (H) inches
(12.70 cm x 6.99 cm x 6.99 cm)

Construction

Back Box Aluminum
Mounting Bracket Steel
Lower Dome Acrylic (smoked, clear, chrome or gold)
DF5-PG Series Clear acrylic, .177-inch thick at flange
DF5HD-PG Series

Unit Weight

DF5-PG Series
Indoor 4.23 lb (1.93 kg)
Outdoor 5.75 lb (2.61 kg)
DF5HD-PG Series
Indoor 6.28 lb (2.85 kg)
Outdoor 6.58 lb (2.98 kg)

Shipping Weight

DF5-PG Series
Indoor 8.0 lb (3.63 kg)
Outdoor 10.0 lb (4.54 kg)
DF5HD-PG Series
Indoor 13 lb (5.90 kg)
Outdoor 14.0 lb (6.35 kg)

ENVIRONMENTAL

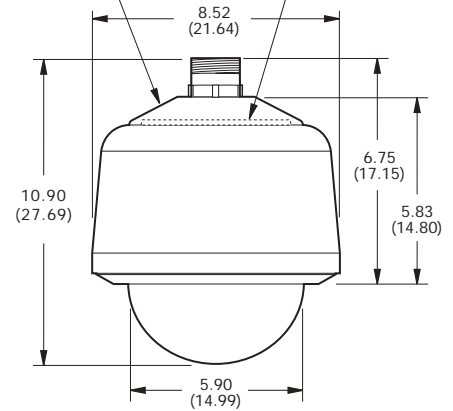
Environment Indoor or outdoor (model dependent)
Operating Temperature
Indoor 32° to 122°F (0° to 50°C)
Outdoor* -60° to 122°F (-51.11° to 50°C)
continuous operation
-50° to 122°F (-45.56° to 50°C)
continuous operation; prevents icing
-40° to 122°F (-40° to 50°C)
continuous operation; de-ices
(within 3 hours) after power-up

* Assumes no wind chill factor.

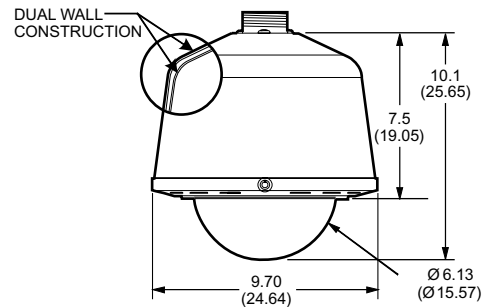
CERTIFICATIONS

- ◆ UL listed to Standard 2044
- ◆ cUL listed to CSA Standard 22.2 No. 1-94
- ◆ Meets NEMA Type 4, IP66 Standards

TOP PORTION OF BACK BOX IS REMOVABLE FOR SURFACE MOUNT APPLICATIONS
DOME IS SECURED TO CEILING BY MOUNTING BRACKET



STANDARD PENDANT DOME



NOTE: VALUES IN PARENTHESES ARE IN CENTIMETERS; ALL OTHERS ARE INCHES.

HEAVY-DUTY PENDANT DOME



TECHNICAL SPECIFICATIONS

MODELS



DF5 SERIES



DF5-OF



DF5S SERIES



DF5-PG-0
(SHOWN WITH
SWM-GY
WALL MOUNT)

Model	In-ceiling	Surface Mount	Pendant	Indoor	Outdoor	Standard Back Box	Heavy-duty Back Box	Shortened Back Box	Standard Bubble	Heavy-duty Bubble	Flat Window	Heater	Sun Shield	Color	Bubble				Bubble Attributes
															Smoked	Clear	Chrome	Gold	
DF5-0	•			•		•			•						•				1/2 f-stop light loss
DF5-1 ¹	•			•		•			•							•			Virtually no light loss
DF5HD-1	•			•			•			•									
DF5-2	•			•		•			•								•		2 f-stop light loss
DF5-3	•			•		•			•									•	2 f-stop light loss
DF5-OF	•			•		•					•				•				1/2 f-stop light loss
DF5-1F	•			•		•					•					•			Virtually no light loss (includes opaque liner)
DF5S-0	•	• ²		•				•	•						•				1/2 f-stop light loss
DF5S-1	•	• ²		•				•	•							•			Virtually no light loss (includes opaque liner)
DF5S-2	•	• ²		•				•	•								•		2 f-stop light loss
DF5S-3	•	• ²		•				•	•									•	2 f-stop light loss
DF5-PB-0				•	•				•					Black	•				1/2 f-stop light loss
DF5-PB-1				•	•				•					Black		•			Virtually no light loss (liner not included)
DF5-PB-2				•	•				•					Black			•		2 f-stop light loss
DF5-PB-3				•	•				•					Black				•	2 f-stop light loss
DF5-PG-0				•	•				•					Gray	•				1/2 f-stop light loss
DF5-PG-1				•	•				•					Gray		•			Virtually no light loss (liner not included)
DF5HD-PG-1				•	•		•			•				Gray		•			Virtually no light loss (liner not included)
DF5-PG-2				•	•				•					Gray			•		2 f-stop light loss
DF5-PG-3				•	•				•					Gray				•	2 f-stop light loss
DF5-PG-E0				•	•				•			•	•	Gray	•				1/2 f-stop light loss
DF5-PG-E1				•	•				•			•	•	Gray		•			Virtually no light loss
DF5HD-PG-E1				•	•		•		•	•				Gray		•			Virtually no light loss (liner not included)

Note: DomePak® models with factory installed and back focused camera and lens packages are available. Please refer to the DF5 Series Selection Guide or contact the factory for available models.

¹ DF5-1 includes opaque liner.

² Requires DF5S-SMKIT.

RECOMMENDED MOUNTS IN-CEILING DOMES

DF5S-SMKIT Surface mount adapter kit for DF5S Series with short back box. Includes bezel and hardware.



SCA1 Support rails; for use in suspended ceiling applications where additional support is needed.

SD5-P 2' x 2' drop ceiling panel, aluminum construction. Replaces 2' x 2' ceiling tile

PENDANT DOMES

IWM Series Wall mount with cable feedthrough. Can be adapted for corner, parapet or pole applications. (See C203 spec)

PP4348 Parapet mount (See C204 spec)

PP350/PP351 Parapet mount (See C212 spec)

SWM Series Compact wall mount. Can be adapted for corner or pole applications. (See C293 spec)

RECOMMENDED POWER SUPPLIES

MCS Series 24 VAC Indoor transformer

(See C653 spec and C655 spec)

WCS Series 24 VAC Weatherproof transformer

(See C654 spec)

OPTIONAL ACCESSORIES

BB5-PCA-BK Pendant conduit adapter, black

BB5-PCA-GY Pendant conduit adapter, gray

DF5LINERKIT Slotted liner kit. Can be added to any dome. (Included with clear in-ceiling domes only.)

SD5-SS Sun shield, gray

DomePak® and Spectra® are registered trademarks of Pelco. Specifications subject to change without notice. ©Copyright 2001, Pelco. All rights reserved.

Pelco • 3500 Pelco Way • Clovis, CA 93612-5699 • Pelco Online @ www.pelco.com
In the US and Canada: Tel (800) 289-9100 • FAX (800) 289-9150 • DataFAX (800) 289-9108
International Customers: Tel +1(559) 292-1981 • FAX +1(559) 348-1120 • DataFAX +1(559) 292-0435