



Legacy® Series Integrated Positioning System

MEDIUM DUTY, INDOOR/OUTDOOR, COAXITRON® COMPATIBLE

Product Features

- Indoor/Outdoor Operation
- RediLINK® Quick-Connect Feature
- Delrin® Worm Gear Drives
- Optional Preset Positioning and 360° Pan Rotation
- Gold-Plated Pin Connectors Ensure Reliable Contact
- Prewired, Internal Feedthrough
- Easily Removed Clamshell Covers
- Bottom-opening Wall Mount Houses Integral Receiver
- Receiver Offers Adjustable Lens Voltages, Selectable Camera Voltages NTSC or PAL Video, Transient Suppression Circuit Protection, and Auto/Random Scan as Standard Features



LEGACY PT780 PAN/TILT AND EH4718L ENCLOSURE

The **Legacy® Series** is an innovative system of “building block” components designed to simplify installation and system design. System components include an enclosure, pan/tilt, receiver, and wall mount.

The mechanical and electrical components of the **Legacy Series** feature RediLINK® quick-connectors making assembly fast and effortless. It's so easy, the basic system can be assembled in a matter of minutes.

Select the **Legacy** model pan/tilt and enclosure to create the basic system. Then, select an appropriate receiver and mount to complete the system package. Models are available with optional heater, defroster, blower, thermal insulation, and sun shroud.

The **Legacy Series** pan/tilt is capable of handling loads up to 52 pounds (23.6 kilograms) and features gold-plated electrical pin connectors to ensure reliable contact and smooth operation. The pan/tilt also features a Delrin® worm gear that requires no lubrication, is corrosion-resistant, and ensures long life. Limit stops are internally adjustable. Available in fixed or variable speed models, options for the pan/tilt include preset positioning, heater blanket, and 360-degree pan positioning. The pan/tilt is prewired for internal feedthrough for all enclosure and camera functions.

The **Legacy** enclosure features a rear-opening, front-hinged lid with gas strut, adjustable camera sled, tilt table, blower, and heater. Enclosure options include defroster, thermal insulation, and sun shroud.

The receivers in the **Legacy Series** have a simple three-wire power connection with on/off switch that supplies power to the entire system. Choose from fixed or variable speed models, with or without presets, for 120/24/230 VAC applications. All models are compatible with Coaxitron® control systems and Pelco RS-422 control systems utilizing D or P type protocols.

The **Legacy** wall mount is constructed from aluminum and meets NEMA Type 4 standards. The mount opens from the bottom for easy access and installation of the **Legacy Series** receiver. The mount can also be used for pole, corner, and parapet applications when used with the appropriate adapter.

An optional infrared illuminator is available for nighttime viewing.



DataFAX
SPEC: 2342

MANUAL: 214156 (EH4700L Series), 214226 (EH5700L Series), 23426 (PT780)

C342 / REVISED 10-02

IP66 CE

U.S. Patent #307,915, #340,940, #5,224,675



TECHNICAL SPECIFICATIONS

Pan/Tilt

MECHANICAL

Pan Rotation	Movement in horizontal plane: 0-355° 0-360° (SL models only)
Pan Speed	VS models only: 1-17°/sec ±1° (maximum load condition) All others: 9°/sec ±1°
Tilt Rotation	90° down from horizontal; 60° up from horizontal
Tilt Speed	VS models only: 1-4°/sec ±0.5° (maximum load condition) All others: 3°/sec ±0.5°
Torque Output	VS models only: 18.3 ft-lbs (24.8 N•m) at rated voltage and 75°F (23°C) All others: 23.8 ft-lbs (32.3 N•m) at rated voltage and 75°F (23°C)
Maximum Load	VS models only: 40 lbs (18.14 kg) at specified torque All others: 52 lbs (23.55 kg) at specified torque
Pan/Tilt Drive System	Delrin® worm gear; ground and polished stainless steel worm
Pan/Tilt Bearings	Roller thrust bearings and bronze Oilite bushings
Lubricants	
Bearings	NLGI #2; lithium complex grease fortified with molybdenum
Chain	Teflon chain lubricant, such as Tri-Flow
Braking	Friction

ELECTRICAL

Input Voltage	120 VAC or 24 VAC, 50/60 Hz		
12 VDC (VS models)			
VA Required	(At specified input voltage)		
	<u>120 VAC</u>	<u>24 VAC</u>	<u>12 VDC</u>
Pan	19.2 VA (.16A)	21.6 VA (.9A)	17.04 VA (1.42A)
Tilt	32.4 VA (.27A)	24 VA (1A)	12.48 VA (1.04A)
Total	51.6 VA (.43A)	45.6 VA (1.9A)	29.52 VA (2.46A)
Maximum Current	2 amps per conductor (SL models only)		
Connectors	Amp CPC type, mate supplied (37 pins)		
Motor Type			
VS models only:	12 VDC continuous duty. DC permanent magnet		
All others:	Single phase, instantaneous reversing, induction type. 120 VAC or 24 VAC, 50/60 Hz, impedance protected. 50% duty cycle; 30 minute rating		
Limit Switches	5 amp, 250 VAC maximum; internal adjustment		
Pan/Tilt Conductor Requirements			
Standard model	20 unshielded, plus video & camera sync coax*		
Standard with/PP	27 unshielded, plus video & camera sync coax*		
Standard with/SL	14 unshielded, plus video & camera sync coax*		
Standard with SL/PP	20 unshielded, plus video & camera sync coax*		

*Including safety ground

Note: Two additional conductors may be required with /HB option.

Note:

Presets are a function of the receiver. At this time, each pan/tilt with preset option is capable of 32 presets (first 8 are alarming) when used with a Coaxitron matrix control and compatible preset receiver.

Cable Distances**

	6 Conductors	7 Conductors***
PT780P Series		
20 AWG (0.5 mm ²)	1,370 ft (417 m)	2,745 ft (836 m)
18 AWG (1.0 mm ²)	2,180 ft (664 m)	4,370 ft (1,331 m)
16 AWG (1.5 mm ²)	3,470 ft (1,057 m)	6,940 ft (2,115 m)
PT780-24P Series		
20 AWG (0.5 mm ²)	59 ft (17.98 m)	118 ft (35.96 m)
18 AWG (1.0 mm ²)	94 ft (28.65 m)	188 ft (57.30 m)
16 AWG (1.5 mm ²)	149 ft (45.41 m)	298 ft (90.83 m)
PT780-VS Series	<u>5 Conductors</u>	
20 AWG (0.5 mm ²)	24 ft (7.3 m)	
18 AWG (1.0 mm ²)	38 ft (11.58 m)	
16 AWG (1.5 mm ²)	60 ft (18.28 m)	

**Cable distances are based on:

- 26.4 volts AC output voltage from controller (24 VAC models) or 132 volts AC output voltage from controller (120 VAC models) or 12 VDC output voltage from controller (12 VDC models) and
- 10% cable loss with both motors (pan/tilt) running simultaneously.

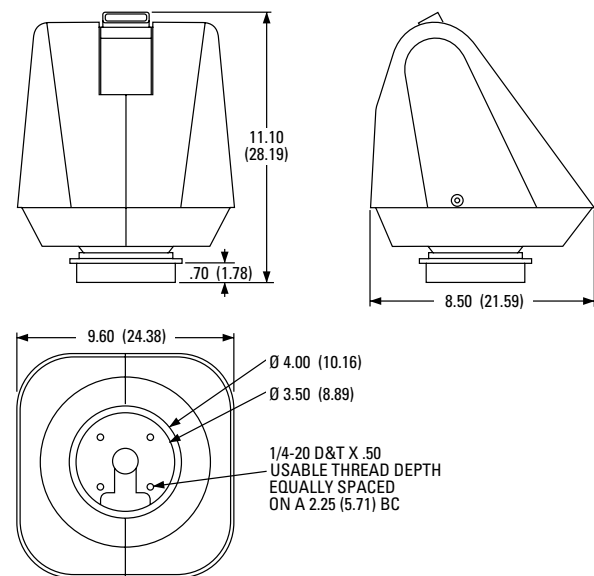
***Using 2-wire motor common

GENERAL

Construction	
Pan/Tilt	Aluminum exterior; painted steel and aluminum interior parts
Worm Gear	Delrin, premium performance acetal
Worm	Ground and polished stainless steel
Environment	Indoor/outdoor
Ambient Temperature	-10°F to 140°F (-23°C to 60°C)
Weight	21.5 lb (9.7 kg) approximate
Shipping Weight	25 lb (11.3 kg) approximate

CERTIFICATIONS/RATINGS (Pan/Tilt Only)

- CE, Class B
- Meets NEMA Type 3R and IP54 standards



NOTE: VALUES IN PARENTHESES ARE CENTIMETERS; ALL OTHERS ARE INCHES.

LEGACY PT780 SERIES PAN/TILT DIMENSION DRAWING

TECHNICAL SPECIFICATIONS

Enclosure

MECHANICAL

Camera Mounting

Removable camera sled; can be inverted to accommodate various cameras and lenses
Link-lock No. 3, stainless steel. EH4700L Series (1); EH5723L Series (2). Latches can be secured with padlock of suitable size (not supplied)

Latches

ELECTRICAL

Input Voltage

24, 120, or 230 VAC, 50/60Hz

Electrical

Connection

Connectors for input power, camera, lens and accessories

BNC for video

BNC for camera synchronization

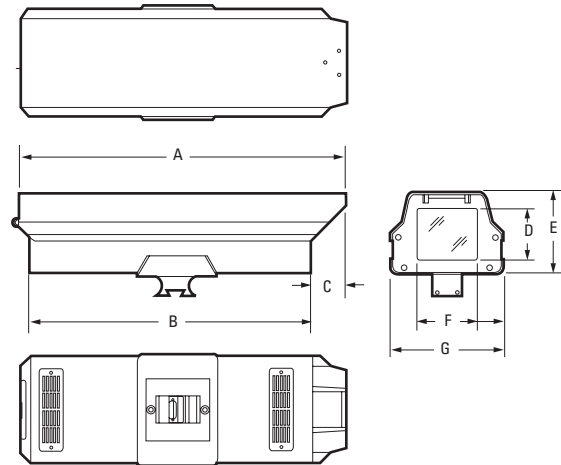
26-pin RediLINK D-type connector

(links enclosure to pan/tilt)

Power Consumption

	EH4700L	EH5723L
Heater (-1 models)	60 watts	90 watts
Heater (-2 models)	50 watts	50 watts
Heater (-3 models)	55 watts	70 watts
Defroster	15 watts	30 watts
Blower (-1 models)	8 watts	15 watts
Blower (-2 models)	8 watts	10 watts
Blower (-2 models)	8 watts	15 watts

Heater/defroster activates on at 42-58°F (6-14°C) and off at 72-88°F (22-31°C). Blower activates on at 77-93°F (25-34°C) and off at 62-78°F (17-26°C)



	EH4718L	EH4722L	EH5723L
A	21.20 (53.84)	25.20 (64.00)	26.50 (67.31)
B	18.30 (46.48)	22.30 (56.64)	23.00 (58.42)
C	2.25 (5.72)	2.25 (5.72)	3.06 (9.15)
D	3.50 (8.89)	3.50 (8.89)	4.25 (10.79)
E	6.70 (17.02)	6.70 (17.02)	8.09 (20.54)
F	4.00 (10.16)	4.00 (10.16)	5.25 (13.34)
G	7.25 (18.42)	7.25 (18.42)	8.98 (22.80)

NOTE: VALUES IN PARENTHESES ARE CENTIMETERS; ALL OTHERS ARE INCHES.

LEGACY® SERIES ENCLOSURE DIMENSION DRAWING

GENERAL

Maximum Camera and Lens Size

Accepts camera and lens combinations*

(including BNC connector) up to:

EH4718L-1/-2/-3

13.00" L x 4.75" W x 4.25" H
(33.02 cm x 12.07 cm x 10.80 cm)

EH4722L-1/-2/-3

17.00" L x 4.75" W x 4.25" H
(43.18 cm x 12.07 cm x 10.80 cm)

EH5723L-1/-2-3

15.5" L x 6.25" W x 5.5" H
(39.37 cm x 15.88 cm x 13.97 cm)

Viewing Window

Glass, 0.25-inch (6.35 mm) thick

Viewing Window Area

EH4700L Series

3.50" H x 4.00" W (8.89 cm x 10.16 cm)

EH5723L

4.25" H x 5.25" W (10.79 cm x 13.34 cm)

Construction

Die-cast, extruded, and sheet aluminum

Finish

Gray polyester power coat

Environment

Indoor/outdoor (-10° to 120°F)

Unit Weight

EH4718L-1/-2/-3

8.5 lb (3.8 kg)

EH4722L-1/-2/-3

9.75 lb (4.4 kg)

EH5723L-1,-2,-3

14 lb (6.4 kg)

Shipping Weight

EH4718L-1/-2/-3

12 lb (5.4 kg)

EH4722L-1/-2/-3

13 lb (5.9 kg)

EH5723L-1,-2,-3

16 lb (7.3 kg)

*Assumes lens is fully extended.

CERTIFICATIONS/RATINGS (Enclosure Only)

- CE, Class B (EH4718L-2, EH4718L-3, EH4722L-2, EH4722L-3, EH5723L-2 and EH5723L-2-3)
- Meets NEMA Type 3R standards (4 when vent cover plates are used)
- Meets IP66 standards (with vent cover plates installed)

MODEL NUMBERS

MODELS

ENCLOSURES

EH4718L-1	Legacy environmental enclosure, 18-inch (45.72 cm) lower body length, 120 VAC heater and blower
EH4718L-2	Same as EH4718L-1 except supplied with 24 VAC heater and blower
EH4718L-3	Same as EH4718L-1 except supplied with 230 VAC heater and blower
EH4722L-1	Legacy environmental enclosure, 22-inch (55.88 cm) lower body length, 120 VAC heater and blower
EH4722L-2	Same as EH4722L-1 except supplied with 24 VAC heater and blower
EH4722L-3	Same as EH4722L-1 except supplied with 230 VAC heater and blower
EH5723L-1	Legacy environmental enclosure, 23-inch (58.42 cm) lower body length, 120 VAC heater and blower
EH5723L-2	Same as EH5723L-1 except 24 VAC heater and blower
EH5723L-3	Same as EH5723L-1 except 230 VAC heater and blower

PAN/TILTS

PT780P	Medium duty, indoor/outdoor pan/tilt with RediLINK connector, 120 VAC
PT780P/PP	Same as PT780P except with presets
PT780SL	Same as PT780P except unit is capable of 360° pan rotation
PT780SL/PP	Same as PT780SL except with presets
PT780-VS	Medium duty, indoor/outdoor vari-speed pan/tilt, 12 VDC
PT780-VS/PP	Same as PT780-VS except with presets
PT780-VSSL	Same as PT780-VS except 360° pan rotation
PT780-VSSL/PP	Same as PT780-VSSL except with presets
PT780-24P	Medium duty, indoor/outdoor pan/tilt with RediLINK connector, 24 VAC
PT780-24P/PP	Same as PT780-24P except with presets
PT780-24SL	Same as PT780-24P except unit is capable of 360° pan rotation
PT780-24SL/PP	Same as PT780-24SL except with presets

Note: Legacy systems (enclosure, pan/tilt, receiver, mount, camera and lens) are available. Consult the factory for available configurations.

OPTIONAL ACCESSORIES

ENCLOSURE

O/I-LPP	Preset position lens wiring harness
O/I-OUTLET	120 VAC electrical outlet
SS4718	Sun shroud for EH4718L Series
SS4722	Sun shroud for EH4722L Series
SS5723	Sun shroud for EH5723L Series
TI47	Thermal insulation for EH4700L Series
TI57	Thermal insulation for EH5723L Series
WD47-1	Window defroster for EH4700L Series, 120 VAC, 15W
WD47-2	Window defroster for EH4700L Series, 24 VAC, 15W
WD47-3	Window defroster for EH4700L Series, 230 VAC, 15W
WD57-1	Window defroster for EH5723L Series, 120 VAC, 30W
WD57-2	Window defroster for EH5723L Series, 24 VAC, 30W
WD57-3	Window defroster for EH5723L Series, 230 VAC, 30W

PAN/TILT

HB1*	Heater blanket, 120 VAC, 40W (0.33 amp). Allows operation to -50°F (-45°C). Thermostatically controlled; activates on at 40°F (4°C) and off at 60°F (15°C).
HB2*	Same as HB1 except 24 VAC, 40W (1.7 amps)
HB3*	Same as HB1 except 230 VAC, 40W (0.17 amp)

*Factory installed options only. Please consult factory.

LEGACY RECEIVERS

LRD41A11 Series	Fixed speed, Coaxitron receiver for use with LWM41 wall mount. 120/24/230 VAC
LRD41C21 Series	Fixed speed, Coaxitron/RS-422 receiver with presets for use with LWM41 wall mount. 120/24/230 VAC
LRD41C22 Series	Variable speed, Coaxitron/RS-422 receiver with presets for use with LWM41 wall mount. 120/24/230 VAC
LRD41C-CONNKIT	Connector kit for LRD41C21/LRD41C22 Series receiver. Required to enable the Aux/Alarm capabilities of the receiver.
LRD41TLC	Receiver plug-in testing module

RECOMMENDED MOUNTS

LWM41	Wall mount; use with/without optional integral Legacy receiver
PM2000, PM2010	Ceiling/pedestal mount
CM400	Corner adapter for LWM41 wall mount
PA2000	Pan/tilt adapter for PM2000/PM2010 mounts
PA402	Pole adapter for LWM41 wall mount
PP300L, PP301L	Parapet adapter (corner) for LWM41 wall mount
PP400	Parapet adapter (wall) for LWM41 wall mount
PP4348	Parapet adapter (rooftop) for LWM41 wall mount

MISCELLANEOUS ACCESSORIES

LL27 Series	Infrared illuminator
LL27LM	Mounting bracket for LL27 Series illuminator



Pelco Worldwide Headquarters:

3500 Pelco Way, Clovis, California 93612-5699 USA

USA & Canada Tel: (800) 289-9100 • FAX (800) 289-9150 • DataFAX (800) 289-9108

International Tel: (559) 292-1981 • FAX (559) 348-1120 • DataFAX (559) 292-0435

www.pelco.com

Legacy®, RediLINK® and Coaxitron® are registered trademarks of Pelco.

Delrin® is a registered trademark of DuPont.

Specifications subject to change without notice.

©Copyright 2002, Pelco. All rights reserved.