



PRODUCT SPECIFICATION

EH4700 Series Enclosure OUTDOOR, MEDIUM



U.S. Patent
#307,915

Product Features

- Designed for Indoor/Outdoor Applications; For use with Fixed Mount or Pan/Tilt
- Die Cast and Extruded Aluminum Construction
- Gas Spring Assisted Forward Opening Lid
- Cable Entry Glands and Mounting Holes Located on Bottom of Enclosure
- Special Options Include 120 VAC Outlet and Preset Lens Wiring Harness



EH4718



ENCLOSURE WITH SUN SHROUD

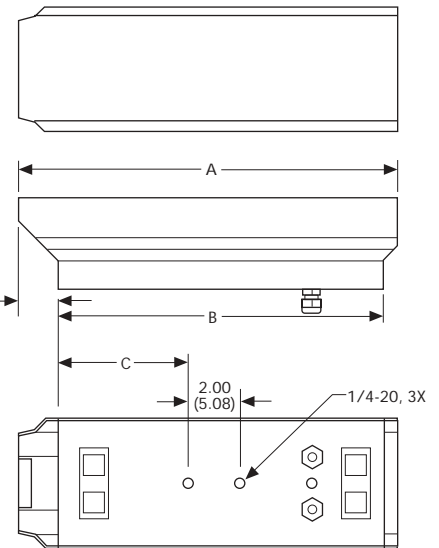
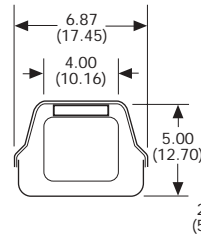
The **EH4700 Series** are indoor/outdoor enclosures constructed from die cast and extruded aluminum. They are available in 18-inch (45.72 cm) (**EH4718**) or 22-inch (55.88 cm) (**EH4722**) lengths.

The **EH4700 Series** is designed to accept CCD cameras with either fixed focal length lenses or motorized zoom lenses (up to 10X). The camera sled is removable and can be inverted to accommodate various camera and lens combinations.

The enclosure opens from the rear by unlatching the rear-mount, link-lock latch. The forward opening lid allows for maximum accessibility during installation/servicing and can be removed, if necessary. A unique gas spring securely holds the lid when fully opened. If desired, the link-lock latch can be secured with a padlock of suitable size for additional security.

The **EH4700 Series** is available with a full complement of factory and field installed accessories which include blower, heater, window defroster, sun shroud, thermal insulation, 120 VAC electrical outlet and preset position lens wiring harness.

The **EH4700 Series** can be used in fixed mount applications or mounted to a medium duty pan/tilt such as our PT680 Series.



	DIM.	MODEL
A	21.2 (53.84)	EH4718
	25.2 (64.00)	EH4722
B	18.3 (46.48)	EH4718
	22.3 (56.64)	EH4722
C	7.00 (17.78)	EH4718
	9.00 (22.86)	EH4722

NOTE: VALUES IN PARENTHESES ARE CENTIMETERS; ALL OTHERS ARE IN INCHES.

ENCLOSURES

OUTDOOR





TECHNICAL SPECIFICATIONS

MODELS

Model Number	Basic Enclosure	120 VAC	24 VAC	230 VAC	Heater	Defroster	Blower	Max. Power Consumption*
EH4718	•							
EH4718-1		•			•		•	68W
EH4718-2			•		•		•	58W
EH4718-3				•	•		•	63W
EH4722	•							
EH4722-1		•			•		•	68W
EH4722-2			•		•		•	58W
EH4722-3				•	•		•	63W

*If optional defroster is used, add 15W to consumption.

MECHANICAL

Cable Entry	Two PG13.5 compression glands on bottom; 0.47-inch (1.19 cm) maximum cable diameter
Cable Entry Holes	.875-inch (2.22 cm) diameter; will accept 0.5-inch (1.27 cm) conduit fitting when compression gland is removed
Camera Mounting	Removable camera sled; can be inverted
Rear Latch	Link-lock, No. 3, stainless steel; can be secured with padlock (not supplied)

ELECTRICAL

Input Voltage	24 VAC, 120 VAC or 230 VAC, 50/60Hz
Electrical Connection	Connectors for power input, lens, camera and accessories (-1/-2/-3 models only)
(-1/-2/-3 models only)	Heater/defroster activates ON at 42-58°F (6-14°C) and OFF at 72-88°F (22-31°C). Blower activates ON at 77-93°F (25-34°C) and OFF at 62-78°F (17-26°C).

GENERAL

Maximum Camera and Lens Size	Accepts camera and lens combinations (including BNC connector) up to:	
EH4718	17.0" L x 5.5" W x 4.25" H (43.18 x 13.97 x 10.795 cm)	
EH4718-1/-2/-3	13.0" L x 4.75" W x 4.25" H (33.02 x 12.07 x 10.795 cm)	
EH4722	21.0" L x 5.5" W x 4.25" H (53.34 x 13.97 x 10.795 cm)	
EH4722-1/-2/-3	17.0" L x 4.75" W x 4.25" H (43.18 x 12.07 x 10.795 cm)	
Viewing Window	.25-inch (6.35 mm) thick LEXAN®	
Viewing Window Area	3.50" H x 4.00" W (8.89 x 10.16 cm)	
Construction	Die-cast, extruded, and sheet aluminum	
Finish	Gray polyester powder coat	
Environment	Indoor/outdoor; -10° to 120°F (-23.33° to 48.89°C)	
Weight	Unit	Shipping
EH4718	7.25 lb (3.28 kg)	9 lb (4.07 kg)
EH4718-1/-2/-3	8.5 lb (3.85 kg)	10 lb (4.53 kg)
EH4722	8.5 lb (3.85 kg)	10 lb (4.53 kg)
EH4722-1/-2/-3	9.75 lb (4.42 kg)	12 lb (5.44 kg)

CERTIFICATIONS/RATINGS

- ◆ CE compliant (models EH4718/-2/-3 and EH4722/-2/-3 only)
- ◆ UL listed to Standard 2044 (except 230 VAC models)
- ◆ Meets NEMA 3R Standards (4 when block-off plates are used)

OPTIONAL ACCESSORIES

BK47-1 ◆	Blower kit, 120V, 8W
BK47-2 ◆	Blower kit, 24V, 8W
BK47-3 ◆	Blower kit, 230V, 8W
HK47-1 ◆	Heater kit, 120V, 60W
HK47-2 ◆	Heater kit, 24V, 50W
HK47-3 ◆	Heater kit, 230V, 55W
O/I-PCB	Accessory interface board; thermostatically controls heater, blower, & defroster operation (one per enclosure required)
O/I-LPP ◆	Preset position lens wiring harness
O/I-OUTLET ◆	120 VAC electrical convenience outlet
SS4718	Sun shroud for EH4718 series enclosures
SS4722	Sun shroud for EH4722 series enclosures
T147	Thermal insulation
WD47-1 ◆	Window defroster, 120V, 15W
WD47-2 ◆	Window defroster, 24V, 15W
WD47-3 ◆	Window defroster, 230V, 15W

◆ These accessories are factory wired with a plug-in connector for use with the O/I-PCB. The O/I-PCB is included with all -1/-2/-3 models. You must order one O/I-PCB if you are using a basic enclosure (EH4718 or EH4722) with these optional accessories.

RECOMMENDED MOUNTS

(refer to Enclosure and Mount Cross-Reference for a complete list)

Pedestal	
EM1009U, EM1015U	Medium duty pedestal mount. Max. load 40 lb (18.12 kg). (See C202 spec)
MM22	Medium duty pedestal mount. Max load 40 lb (18.12 kg). (See C227 spec)
PM2000/PM2010*	Pedestal mounts. Max. load 125 lb (56.63 kg). (See C255 spec)
Wall	
EM1900U	Medium duty wall mount. Max. load 40 lb (18.12 kg). (See C202 spec)
EM22	Medium duty wall mount. Max. load 40 lb (18.12 kg). (See C227 spec)
WM2000*	Universal wall mount. Max. load 75 lb (33.97 kg). (See C266 spec)
Pipe/Pole	
EM1109	Medium duty pedestal mount for pipe/pole. Max. load 40 lb (18.12 kg). (See C207 spec)
EM2000, EM2200	Medium duty mount for pipe/pole applications. Max. load 40 lb (18.12 kg). (See C207 spec)
Adapter	
AH1000	Manually adjustable pan/tilt head. (See C255/C266 spec)

*Use with AH1000 adjustable head.

RECOMMENDED PAN/TILTS

PT680 Series	Medium duty pan/tilt, 24 VAC. Max. load 50 lb (22.7 kg). (See C337 spec)
PT570 Series	Medium duty pan/tilt, 120 or 24 VAC. Max. load 40 lb (22.7 kg). (See C330 spec)

LEXAN® is a registered trademark of the General Electric Company. Specifications subject to change without notice. ©Copyright 2000, Pelco. All rights reserved.