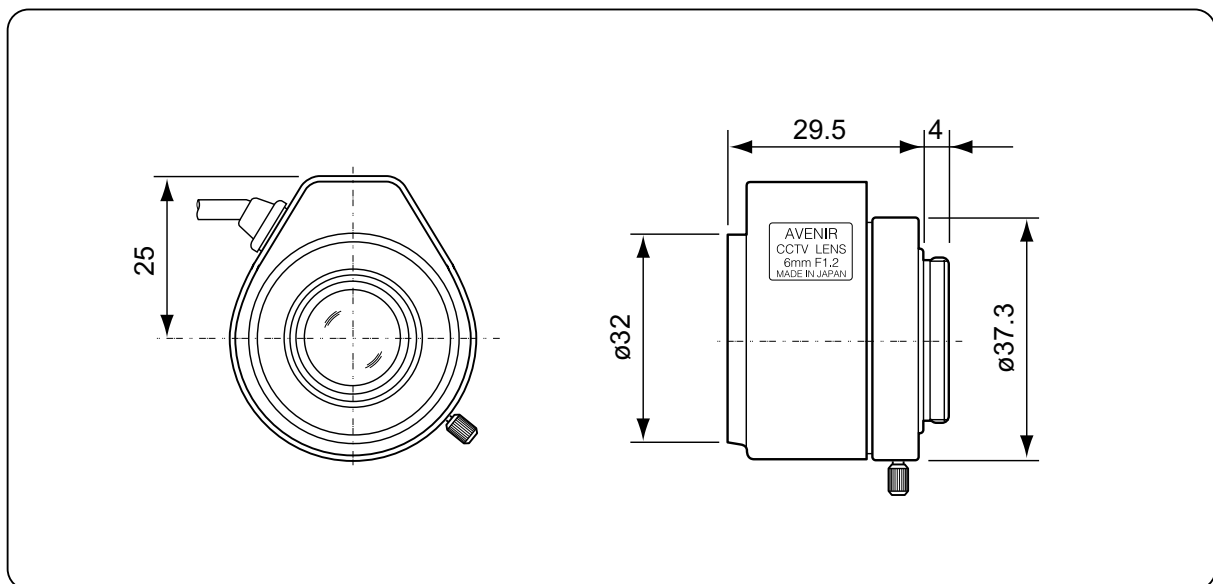


Model No.		TTSD0612J	
Image Format Cover		1/3"	
Focal Length		6.0mm	
Maximum Aperture Ratio		1:1.2	
Iris	Control Method	Direct Drive	
	Iris Range	F1.2 ~ 360	
	Speed	---	
	Input Voltage & Current	---	
	Sensitivity Adjustment	---	
Focus	Control Method	Manual	
Angle Field of View (DXHXV)	1/4 inch	43.4°X34.4°X25.7°	
	1/3 inch	61.1°X48.1°X35.6°	
Minimum Object Distance		0.3m	
Back Focal Length		9.30mm	
Effective Diameter	Front	ø14.0mm	
	Rear	ø8.9mm	
Filter Screw Size		---	
Mount / Flange Back		CS/12.5mm	
Mechanical Dimension (DXHXL)		ø32mmX43.9mmX29.5mm	
Total Weight		49.8g	
Application Temperature Range		-10°C ~ +50°C (+14°F ~ +122°F)	
Remarks		---	



Available in Australia from



Pacific Communications
CLOSED CIRCUIT VIDEO SYSTEMS



Available in New Zealand from

