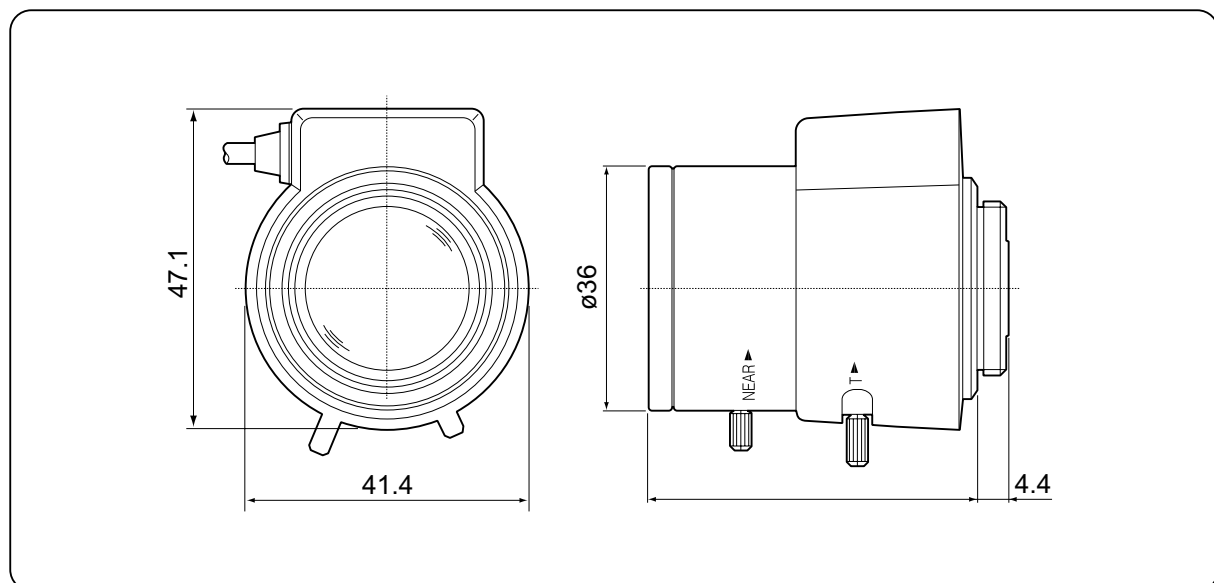


Model No.		TVSD0358-2J	
Image Format Cover		1/3" ~ 1/4"	
Focal Length		3.5 ~ 8.0mm	
Maximum Aperture Ratio		1:1.4-1.96	
Zoom Ratio		2.3X	
Iris	Control Method	Direct Drive	
	Iris Range	F1.4(1.96) ~ 360	
	Speed	---	
	Input Voltage & Current	---	
	Sensitivity Adjustment	---	
Focus	Control Method	Manual	
Zoom	Control Method	Manual	
Angle Field of View (DXHXV)	1/4 inch	Wide	69.6°X56.5°X42.7°
		Tele	32.8°X26.3°X19.8°
	1/3 inch	Wide	88.5°X73.8°X56.5°
		Tele	43.5°X35.0°X26.3°
Minimum Object Distance			0.3m
Back Focal Length			8.64 ~ 14.16mm
Effective Diameter		Front	ø21.5mm
		Rear	ø8.0mm
Filter Screw Size			---
Mount / Flange Back			CS/12.5mm
Mechanical Dimension (DX(H)XL)			ø36mmX47.1mmX48.1mm
Total Weight			76.6g
Application Temperature Range			-10°C ~ +50°C (+14°F ~ +122°F)
Remarks			---



Available in Australia from



Pacific Communications
CLOSED CIRCUIT VIDEO SYSTEMS



Available in New Zealand from

