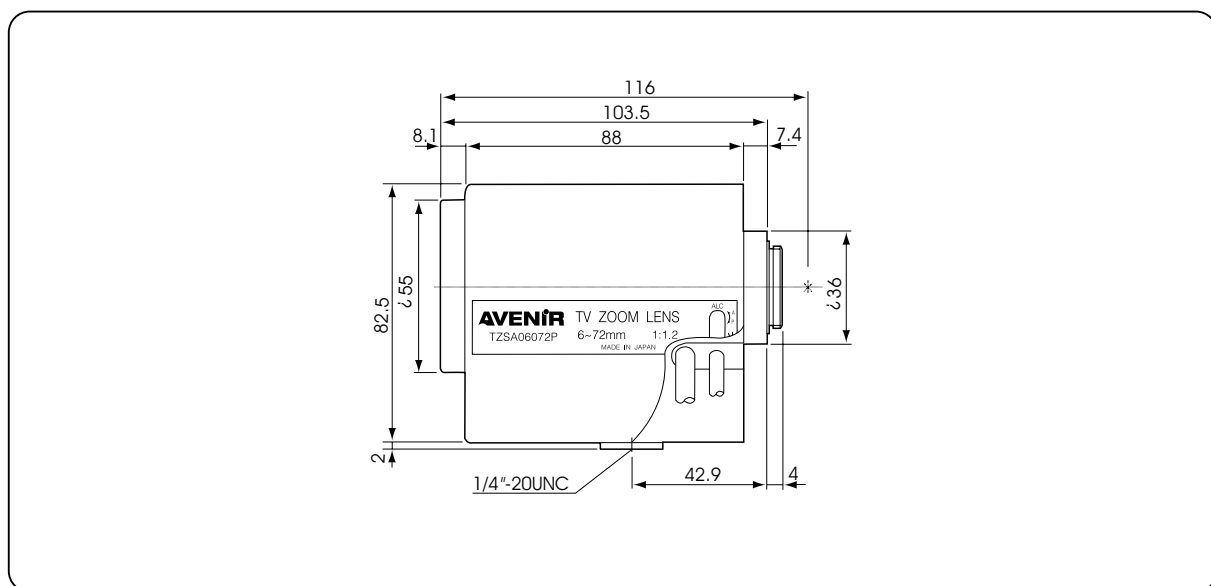


Model No.		TZSA06072P	
Image Format Cover		1/3" ~ 1/4	
Focal Length		6.0 ~ 72mm	
Maximum Aperture Ratio		1:1.2-1.63	
Zoom Ratio		12X	
Iris	Control Method		Video Drive
	Iris Range		F1.2(1.63) ~ 360
	Speed		Approx. 2 sec
	Input Voltage & Current		DC8 ~ 16V Max.35mA
	Sensitivity Adjustment		0.5 ~ 1.0Vp-p
Focus	Control Method		Motorized/Preset
	Speed		Approx. 2.5 sec
	Input Voltage & Current		DC12V Max.50mA
Zoom	Control Method		Motorized/Preset
	Speed		Approx. 2 sec
	Input Voltage & Current		DC12V Max.50mA
Angle Field of View (DXHXV)	1/4 inch	Wide	41.0°X32.9°X24.7°
		Tele	3.7°X3.0°X2.2°
	1/3 inch	Wide	54.4°X43.7°X32.9°
		Tele	5.0°X4.0°X3.0°
Minimum Object Distance			1.5m
Back Focal Length			8.7mm
Effective Diameter	Front		∅46.0mm
	Rear		∅11.0mm
Filter Screw Size			---
Mount / Flange Back			CS/12.5mm
Mechanical Dimension(WXHXL)			66mmX82.5mmX103.5mm
Total Weight			660.0g
Application Temperature Range			0°C ~ +50°C (+32°F ~ +122°F)
Remarks			---



Available in Australia from



Available in New Zealand from

