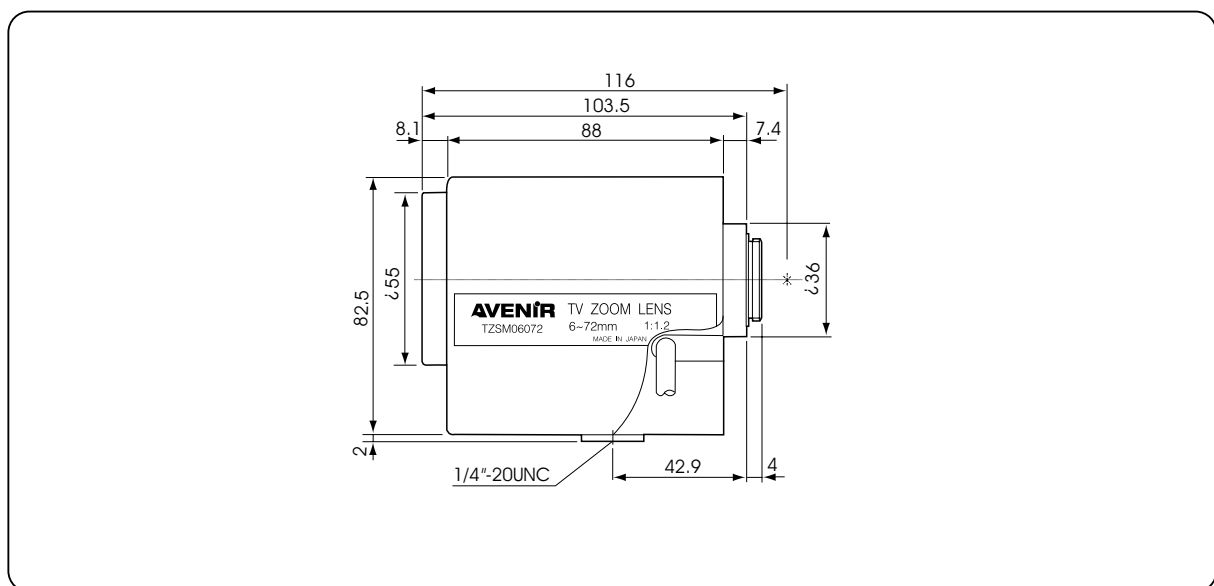


Model No.		TZSM06072	
Image Format Cover		1/3" ~ 1/4	
Focal Length		6.0 ~ 72mm	
Maximum Aperture Ratio		1:1.2-1.63	
Zoom Ratio		12X	
Iris	Control Method	Motorized	
	Iris Range	F1.2(1.63) ~ Close	
	Speed	Approx. 2 sec	
	Input Voltage & Current	DC12V Max.50mA	
	Sensitivity Adjustment	---	
Focus	Control Method	Motorized	
	Speed	Approx. 2.5 sec	
	Input Voltage & Current	DC12V Max.50mA	
Zoom	Control Method	Motorized	
	Speed	Approx. 2 sec	
	Input Voltage & Current	DC12V Max.50mA	
Angle Field of View (DXHXV)	1/4 inch	Wide	41.0°X32.9°X24.7°
		Tele	3.7°X3.0°X2.2°
	1/3 inch	Wide	54.4°X43.7°X32.9°
		Tele	5.0°X4.0°X3.0°
Minimum Object Distance		1.5m	
Back Focal Length		8.7mm	
Effective Diameter	Front	φ46.0mm	
	Rear	φ11.0mm	
Filter Screw Size		---	
Mount / Flange Back		CS/12.5mm	
Mechanical Dimension(WXHXL)		66mmX82.5mmX103.5mm	
Total Weight		620.0g	
Application Temperature Range		0°C ~ +50°C (+32°F ~ +122°F)	
Remarks		---	



Available in Australia from



Available in New Zealand from

