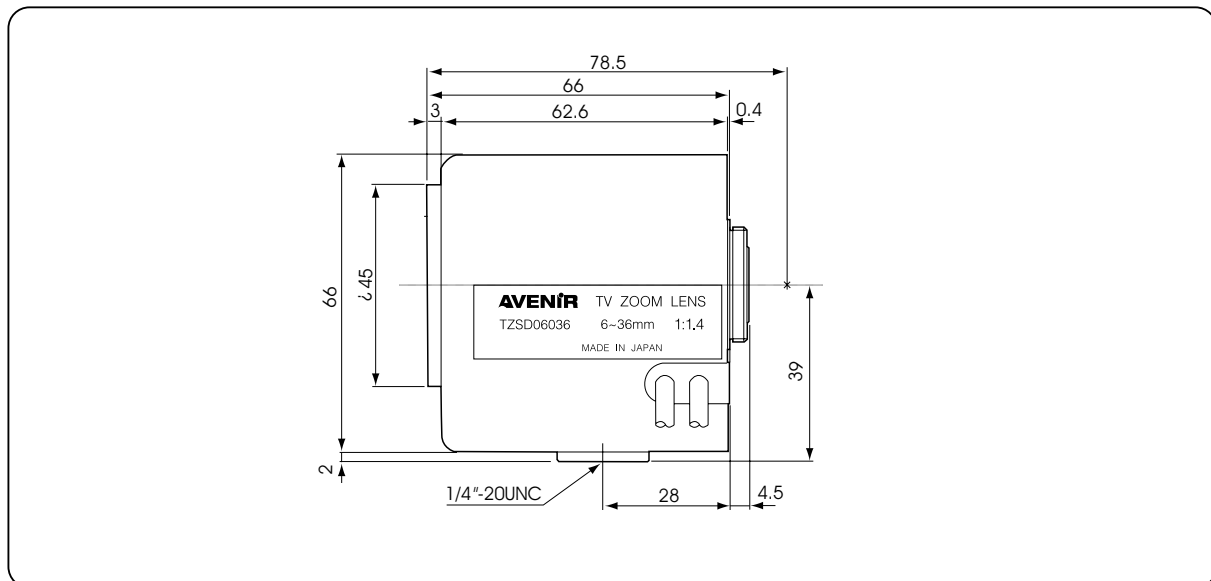


Model No.		TZSD06036	
Image Format Cover		1/3" ~ 1/4"	
Focal Length		6.0 ~ 36mm	
Maximum Aperture Ratio		1:1.4-1.5	
Zoom Ratio		6X	
Iris	Control Method		Direct Drive
	Iris Range		F1.4(1.5) ~ 360
	Speed		---
	Input Voltage & Current		---
	Sensitivity Adjustment		---
Focus	Control Method		Motorized
	Speed		Approx. 4 sec
	Input Voltage & Current		DC12V Max.110mA
Zoom	Control Method		Motorized
	Speed		Approx. 4 sec
	Input Voltage & Current		DC12V Max.110mA
Angle Field of View (DXHXV)	1/4 inch	Wide	40.1°X32.3°X24.4°
		Tele	7.3°X5.9°X4.4°
	1/3 inch	Wide	54.0°X43.6°X32.8°
		Tele	9.5°X7.7°X5.8°
Minimum Object Distance			1.3m
Back Focal Length			12.50mm
Effective Diameter	Front		φ35.0mm
	Rear		φ11.0mm
Filter Screw Size			M43.0 P=0.75
Mount / Flange Back			CS/12.5mm
Mechanical Dimension(WXHXL)			58mmX66mmX66mm
Total Weight			295.0g
Remarks			---
Application Temperature Range			0°C ~ +50°C 32°F ~ +122°F



Available in Australia from



Available in New Zealand from

