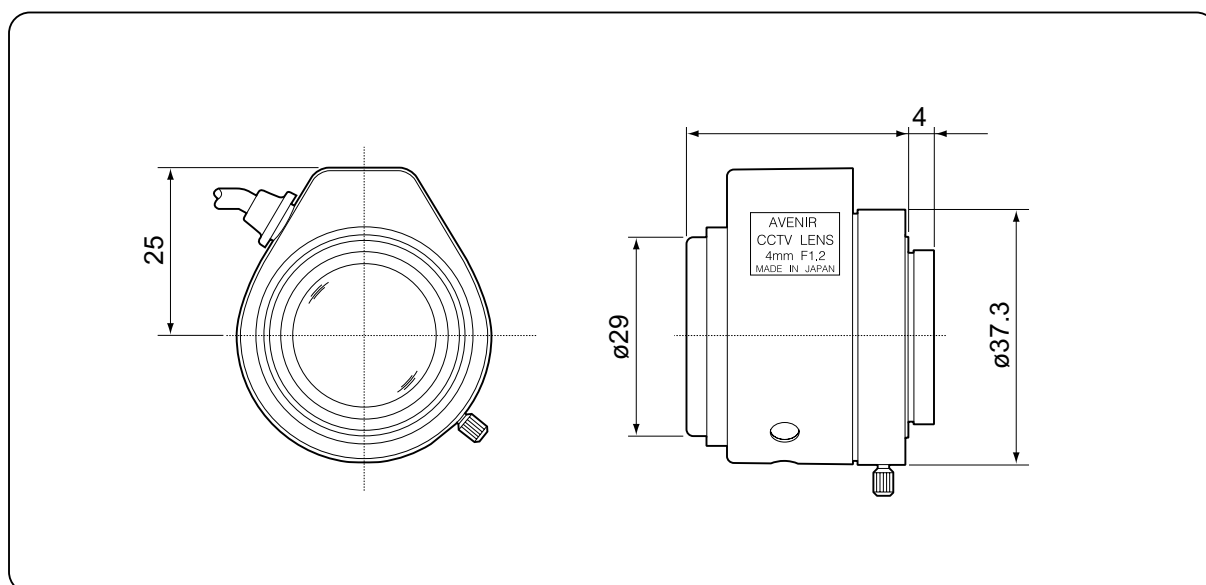


<b>Model No.</b>		<b>TTSG0412-2</b>	
Image Format Cover		1/3"	
Focal Length		4.0mm	
Maximum Aperture Ratio		1:1.2	
Iris	Control Method	Video Drive	
	Iris Range	F1.2 ~ 360	
	Speed	Approx. 1.5 sec	
	Input Voltage & Current	DC8 ~ 16V Max.30mA	
	Sensitivity Adjustment	0.5 ~ 1.0Vp-p	
Focus	Control Method	Manual	
Angle Field of View (DXHXV)	1/4 inch	59.6°X48.3°X36.5°	
	1/3 inch	78.9°X65.1°X49.8°	
Minimum Object Distance		0.25m	
Back Focal Length		10.14mm	
Effective Diameter	Front	ø20.0mm	
	Rear	ø9.26mm	
Filter Screw Size		---	
Mount / Flange Back		CS/12.5mm	
Mechanical Dimension (DXHXL)		ø29mmX43.9mmX32.0mm	
Total Weight		55.4g	
Application Temperature Range		-10°C ~ +50°C (+14°F ~ +122°F)	
Remarks		---	



Available in Australia from



**Pacific Communications**  
CLOSED CIRCUIT VIDEO SYSTEMS



Available in New Zealand from

