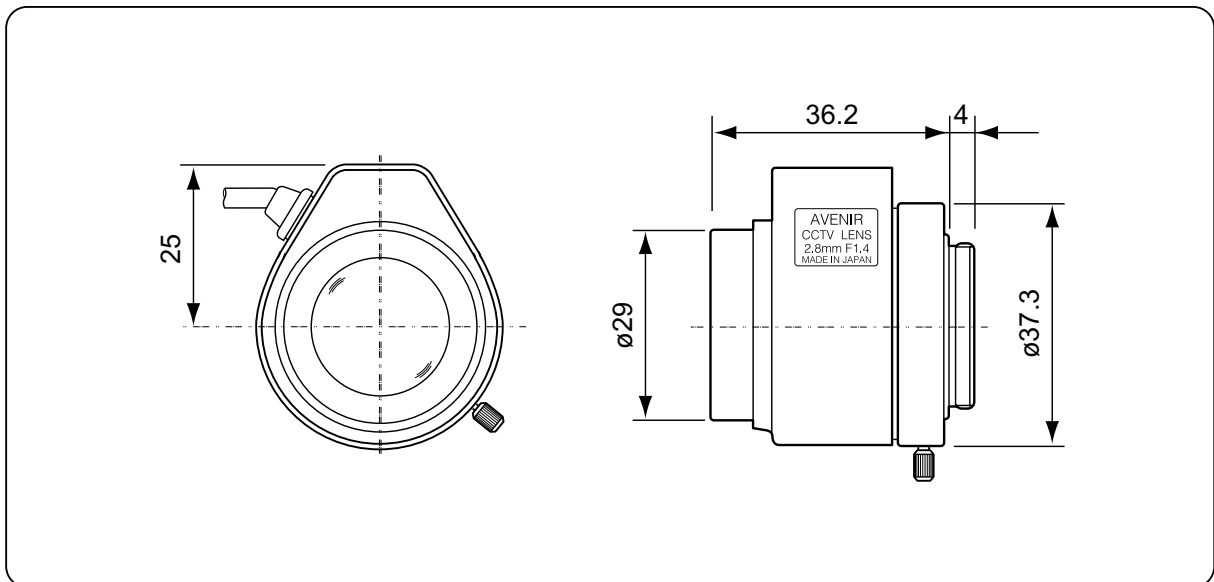


Model No.		TTSD0284J	
Image Format Cover		1/3"	
Focal Length		2.8mm	
Maximum Aperture Ratio		1:1.4	
Iris	Control Method	Direct Drive	
	Iris Range	F1.4 ~ 360	
	Speed	---	
	Input Voltage & Current	---	
	Sensitivity Adjustment	---	
Focus	Control Method	Manual	
Angle Field of View (DXHXV)	1/4 inch	87.2°X70.3°X53.0°	
	1/3 inch	117.4°X95.6°X72.6°	
Minimum Object Distance		0.2m	
Back Focal Length		9.30mm	
Effective Diameter	Front	ø19.7mm	
	Rear	ø8.9mm	
Filter Screw Size		---	
Mount / Flange Back		CS/12.5mm	
Mechanical Dimension (DXHXL)		ø29mmX43.9mmX36.2mm	
Total Weight		64.4g	
Application Temperature Range		-10°C ~ +50°C (+14°F ~ +122°F)	
Remarks		---	



Available in Australia from



Pacific Communications
CLOSED CIRCUIT VIDEO SYSTEMS

DAS
DIRECT ALARM SUPPLIES

Available in New Zealand from

