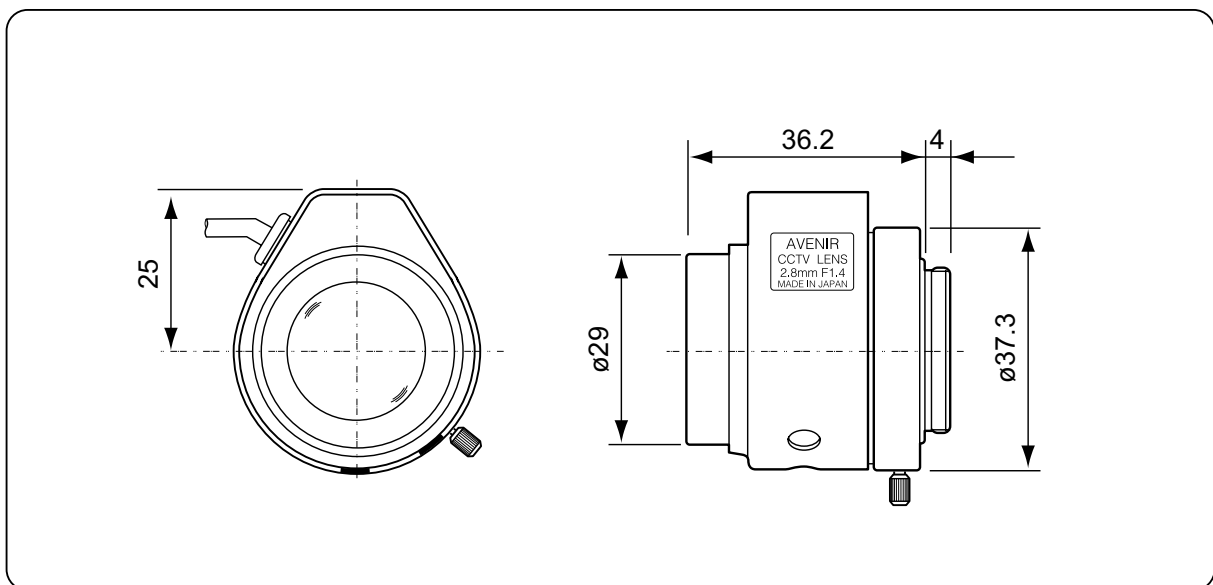


AVENIR**Seikou Optical Ltd.**

Model No.		TTSG0284	
Image Format Cover		1/3"	
Focal Length		2.8mm	
Maximum Aperture Ratio		1:1.4	
Iris	Control Method	Video Drive	
	Iris Range	F1.4 ~ 360	
	Speed	Approx. 1.5 sec	
	Input Voltage & Current	DC8 ~ 16V Max.30mA	
	Sensitivity Adjustment	0.5 ~ 1.0Vp-p	
Focus	Control Method	Manual	
Angle Field of View (DXHXV)	1/4 inch	87.2°X70.3°X53.0°	
	1/3 inch	117.4°X95.6°X72.6°	
Minimum Object Distance		0.2m	
Back Focal Length		9.30mm	
Effective Diameter	Front	ø19.7mm	
	Rear	ø8.9mm	
Filter Screw Size		---	
Mount / Flange Back		CS/12.5mm	
Mechanical Dimension (DXHXL)		ø29mmX43.9mmX36.2mm	
Total Weight		63.3g	
Application Temperature Range		-10°C ~ +50°C (+14°F ~ +122°F)	
Remarks		---	



Available in Australia from



**Pacific
Communications**
CLOSED CIRCUIT VIDEO SYSTEMS

DAS
DIRECT ALARM SUPPLIES

Available in New Zealand from

Hills.
Electronic Security
New Zealand