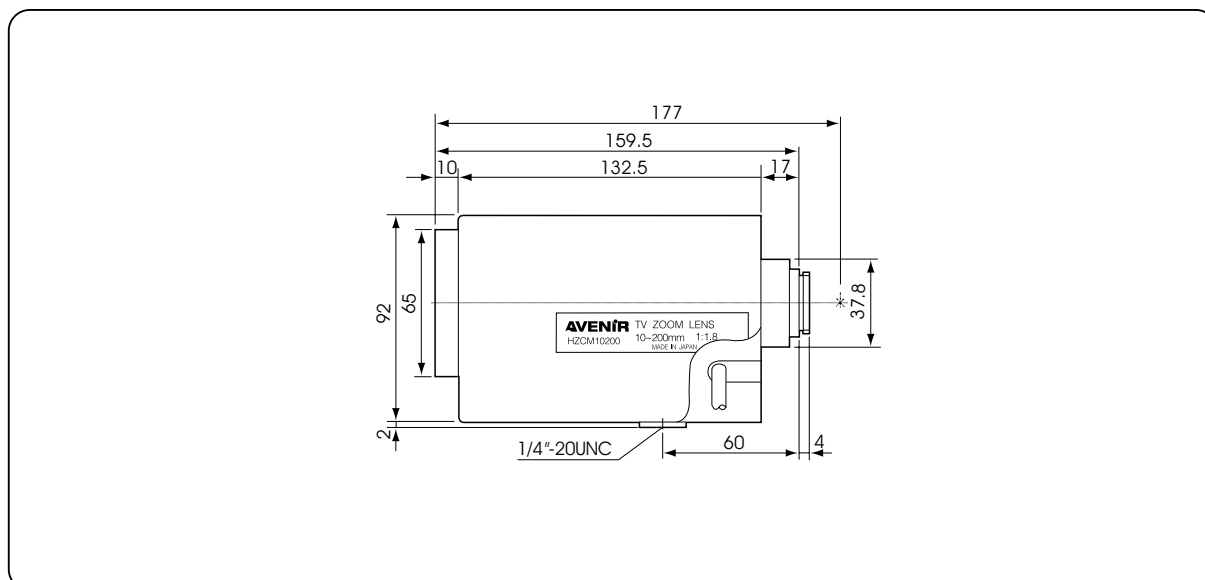


Model No.		HZCM10200	
Image Format Cover		1/2" ~ 1/3"	
Focal Length		10 ~ 200mm	
Maximum Aperture Ratio		1:1.8-3.32	
Zoom Ratio		20X	
Iris	Control Method		Motorized
	Iris Range		F1.8(3.32) ~ Close
	Speed		Approx. 2 sec
	Input Voltage & Current		DC12V Max.50mA
	Sensitivity Adjustment		---
Focus	Control Method		Motorized
	Speed		Approx. 4 sec
	Input Voltage & Current		DC12V Max.50mA
Zoom	Control Method		Motorized
	Speed		Approx. 4 sec
	Input Voltage & Current		DC12V Max.50mA
Angle Field of View (DXHXV)	1/3 inch	Wide	33.5X26.8X20.1
		Tele	1.8X1.4X1.1
	1/2 inch	Wide	44.4X35.7X26.8
		Tele	2.3X1.9X1.4
Minimum Object Distance			1.5m
Back Focal Length			14.39mm
Effective Diameter	Front		57.0mm
	Rear		13.8mm
Filter Screw Size			M62.0 P=0.75
Mount / Flange Back			C/17.526
Mechanical Dimension(WXHXL)			78.0mmX92.0mmX159.5mm
Total Weight			860.0g
Application Temperature Range			0C ~ +50C (+32F ~ +122F)
Remarks			---



Available in Australia from



Available in New Zealand from

