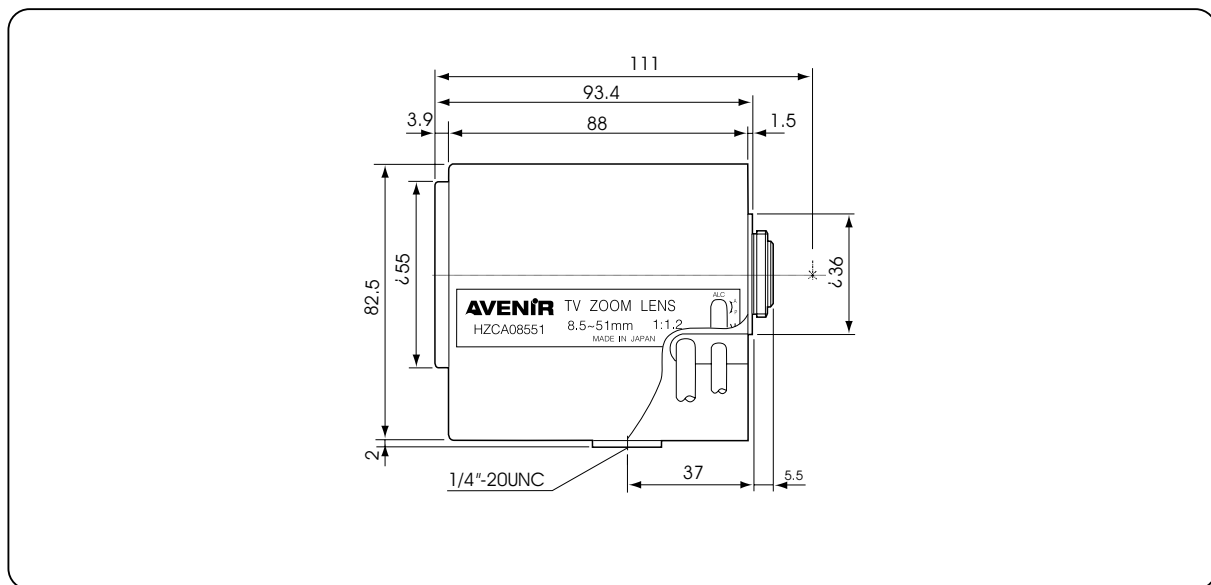


Model No.		HZCA08551	
Image Format Cover		1/2" ~ 1/3"	
Focal Length		8.5 ~ 51mm	
Maximum Aperture Ratio		1:1.2	
Zoom Ratio		6X	
Iris	Control Method	Video Drive	
	Iris Range	F1.2 ~ 360	
	Speed	Approx. 2 sec	
	Input Voltage & Current	DC8 ~ 16V Max.30mA	
	Sensitivity Adjustment	0.5 ~ 1.0Vp-p	
Focus	Control Method	Motorized	
	Speed	Approx. 2.5 sec	
	Input Voltage & Current	DC12V Max.50mA	
Zoom	Control Method	Motorized	
	Speed	Approx. 2 sec	
	Input Voltage & Current	DC12V Max.50mA	
Angle Field of View (DXHXV)	1/3 inch	Wide	38.8X31.3X23.6
		Tele	6.8X5.5X4.1
	1/2 inch	Wide	50.7X41.2X31.3
		Tele	8.9X7.2X5.5
Minimum Object Distance		1.1m	
Back Focal Length		12.55mm	
Effective Diameter	Front	44.0mm	
	Rear	11.7mm	
Filter Screw Size		M52.0 P=0.75	
Mount / F lange Back		C/17.526	
Mechanical Dimension(WXHXL)		66.0mmX82.5mmX93.4mm	
Total Weight		610.0g	
Application Temperature Range		0C ~ +50C (+32F ~ +122F)	
Remarks		---	



Available in Australia from



Available in New Zealand from

